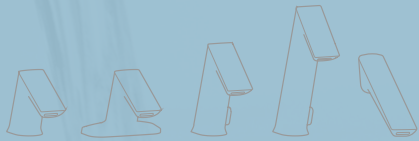




SLOAN

BASYS®

Any Application. Any Environment.®



SLOAN®

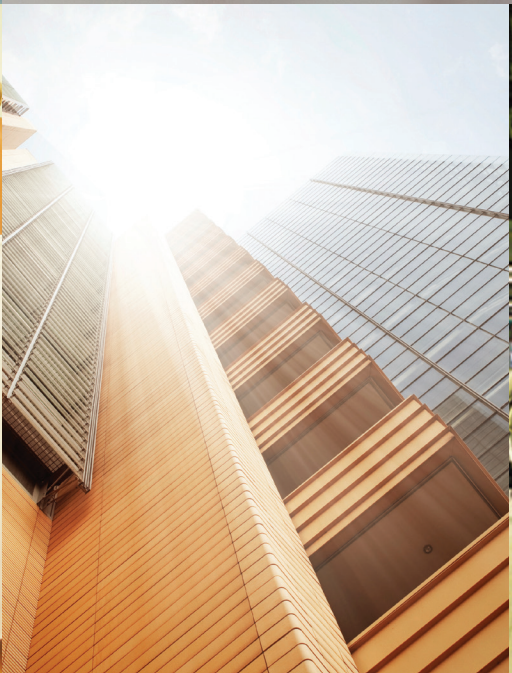
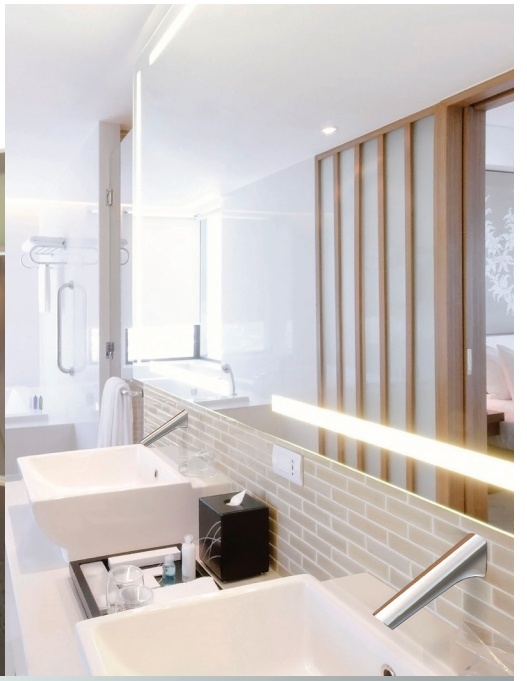
INTRODUCING

BASYS[®]

Any Application. Any Environment.[®]

Backed by a century of experience and proven Sloan technologies, Basys delivers a revolutionary approach to sensor faucets that meets the demands of the commercial plumbing industry. Fueled by two years of field research and in-depth interviews with architects, engineers and plumbers, Basys has the strength and versatility to meet the needs of any application or environment.







Plumbers Talked. We Listened.

A foundational goal for Basy's® was to develop real problem-solving innovations that would have a profound impact not only on the commercial plumbing industry, but also the people who specify, service and use our products every day.

For over two years, we conducted field research in demanding commercial environments. When plumbers worked, we watched. And when they talked, we listened. We saw the hassle of crawling below deck for a simple repair and struggled to find the right tool for what should be a simple fix. We tallied wasted hours and materials when a good battery was exchanged, simply because it was an easy first step in troubleshooting.

Our response: Develop a robust line of commercial faucets that makes ease of service a top priority.

Redefining Efficiency + User Experience.

Basys® is centered on a robust system of shared features and components. This fundamentally different approach aims to revolutionize the commercial plumbing industry by streamlining service and advancing the user experience.

One Tool Service

A single allen wrench provides access to all key components. No additional tools are required.

Automatic Shut-off

One twist of the solenoid caddy shuts off water supply to facilitate replacing or cleaning the filter.

Visible Diagnostics

Individual external diagnostic LEDs indicate the health and status of key components.

Shared Parts

Interchangeability of components simplifies orders, upgrades, repairs and maintenance.

Power Options

Multiple power harvesting options are available to suit the unique needs of each environment.

Line Purge

All models include a line purge function to eliminate the stagnant water that can lead to bacterial growth.

Flow Rates

Three spray modules – full stream aerated, laminar and low flow multi-laminar – provide options to adjust flow rate and feel of water.

Sensing

Active Infrared is the standard on all models. Capacitance (offered on some models) provides extra protection against vandalism.

Sleep Mode

With a touch, staff can temporarily turn off the water supply in order to clean the sink area without activating water flow.

5 Body Types. 2 Sensing Technologies. 4 Crowns. 4 Power Choices. Any Application. Any Environment.

Tailor It to Fit.

Basys® has a robust range of features, options and user enhancements that can be customized to fit the needs of any application. Configurability, combined with interchangeable componentry, delivers a truly modular approach that also streamlines the time and costs associated with service and maintenance throughout the life of the product.

BODY TYPES

Multiple body types offer a variety of functional and aesthetic options.



Low

The modest profile minimizes the potential for vandalism, making this body type ideal for high-use, low-security environments. For extra assurance against damage, opt for the capacitance model.



Low Integrated Base

Ideal for the most demanding high-use environments. The integrated base offers added durability via two attachment points. The capacitance model is especially robust.



Mid

This model provides optimal height and proportions for effective hand washing, making it well suited for most restroom environments.



High

The tall profile offers a distinct aesthetic as well as an optimized delivery angle that permits a greater wash area. Users can scrub past their forearms if desired.



Wall

Elimination of the deck translates into uninterrupted clearance and a striking appearance. The spout attaches directly to a valve box in the wall, making this body type easy to install and secure.

SENSING

There are two different kinds of sensing technologies available.

Active Infrared (IR)

Infrared sensing is the standard on all Basys® models. When a user's hands reflect the invisible light beam, the faucet knows to begin the flow of water. Infrared models are designed to provide easy, above-deck access to key components, and offer additional user enhancements.

Key Features:

Individual external diagnostic LEDs.
All key components – battery, valve caddy and solenoid – are easily accessible for above-deck service.
Can accommodate or upgrade to solar and / or LCD.
Adjustable time-out settings.
Available with mechanical mixer, integral to spout.
Available on all models.

Capacitance (C)

Capacitance sensing utilizes the human body's own natural conductivity. When the faucet senses a hand, it starts the flow of water. There is no sensor window and critical components are protected in a watertight, below-deck box. An excellent choice for high-use environments, or when vandalism is a concern.

Key Features:

Individual external diagnostic LEDs.
Below-deck components protected in a watertight box.
Only two keyed wire connections located between the spout and control module.
Self-adapting sensing.
Automatic time-out based on flow rate.
Available on Low and Low Integrated Base models.

CROWNS

Interchangeable crowns help tailor a product to fit the unique needs of a particular installation.



Bowed

Crowns are interchangeable with models that utilize the same method of sensing.

A clean, bowed crown is the standard for all models. It provides an uninterrupted appearance. (IR / C)



Solar

Solar panels embedded in the crown draw power from artificial and natural light sources. (IR)



Display

An optional LCD display provides enhanced communication to the user, such as wash time and water temperature. (IR)



Solar + Display

Both solar panels and LCD display are embedded into a single crown. (IR)

POWER

A variety of power choices help make the most of available resources.

Battery

All power supply options have battery-powered back-up for reliable service and operation.

A good option for retrofit environments or installations where hardwiring is not an option. (IR/C)

Hardwired

Ideal for new construction, because it eliminates regular use of disposable batteries. However, all hardwired faucets have back-up battery power. (IR/C)

Solar

An excellent choice to passively harvest power without adding parts to the water stream. Our solar panels are able to harvest power from both artificial and natural sources. (IR)

Turbine

Investments and advances in our turbine technology allow for optimized performance, even at a flow rate of 0.5 gpm. (C)

Indication is the First Step to Diagnosis.

Individual external diagnostic LEDs communicate when there is a problem, such as low battery power, or solenoid and calibration issues. This takes the guesswork out of everyday service, and is standard on every model in the Basys® line.

Individual LEDs communicate:

- Low Battery
- Power Up Success
- Water Hold
- Clean Mode
- Cap Sensor Calibration Failure
- Ambient or Environmental Electrical Noise
- Solenoid Latch Failure



Sleek Appearance. Smart Engineering.

Basys® brings ease-of-access and serviceability to wall-mounted and vessel sink applications. Solenoid and water connections are accessible above-deck, eliminating plumbing and wiring boxes under the sink. The faucet body is secured directly to the valve module which is recessed into the wall, creating a rigid, reliable assembly. Key components are accessible simply by removing the faucet's crown, and the body of the spout is large enough to allow working-access, so the faucet body never needs to be removed from the wall after installation.



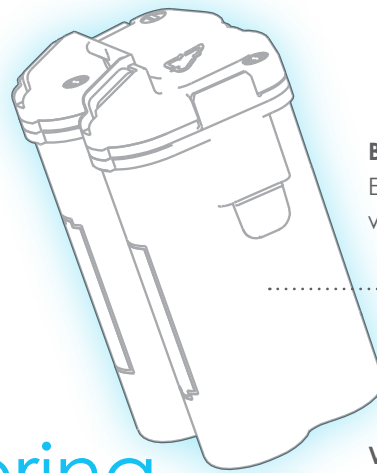


One Tool. One Twist. One Minute Fixes.

The on-board electronics are completely sealed within each faucet's modular crown, which can be removed with a single allen wrench. Better yet, no additional tools are required to shut off water supply or change components.

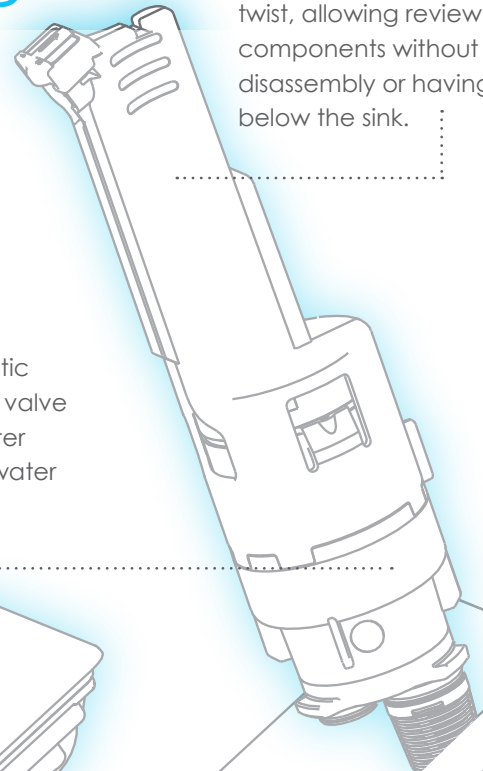
Advanced Engineering for Ease of Service.

Easy, above-deck access to key components is the standard for all Basys® Infrared models.



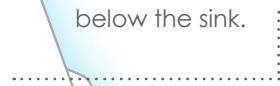
Battery Caddy

Easily accessible and watertight.



Valve Caddy / Water shut-off

Shuts off water supply with one twist, allowing review of key components without additional disassembly or having to crawl below the sink.



Solenoid + Filter

An electromagnetic bi-stable solenoid valve with integrated filter opens and shuts water flow.



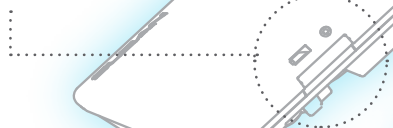
Removable Crown

A die-cast metal crown centralizes all electronics into a single serviceable component. This configuration has received a high IP rating, meaning that the controls are protected from both dust and water.



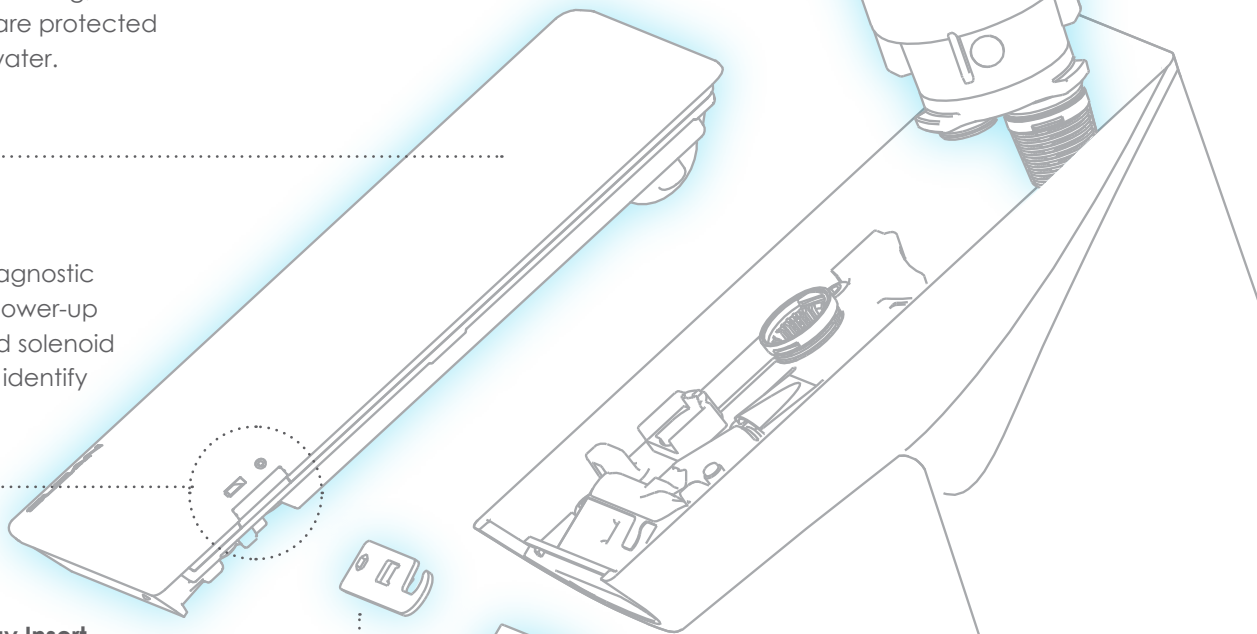
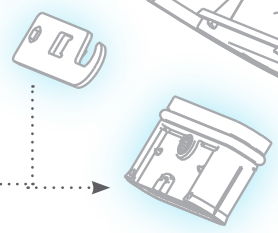
External Indicators

Individual external diagnostic LEDs communicate power-up status, battery life and solenoid status to help quickly identify common problems.



Exchange Tool + Spray Insert

Allows operators to remove, clean and replace the spray...



A person wearing light blue scrubs is shown from the side, washing their hands under a modern, hands-free faucet. The faucet is sleek and metallic, with a thin stream of water flowing over the person's hands. The background is a blurred clinical or hospital setting with other faucets and sinks. The overall tone is clean and professional.

Optimal Hygiene for Every User.

Although all hands-free faucets help reduce the spread of disease, Basys® offers additional features that help promote hygiene best-practices. All models come standard with a line purge feature that eliminates the stagnant water that can lead to bacterial growth. Infrared models offer enhanced features, like LCDs that dynamically communicate elapsed scrub time and temperature.

A Seamless User Experience.

Basys® is designed and engineered to make hand washing a seamless, intuitive experience. All Basys products embed the sensor right where the water exits, initiating the flow of water to the user on-demand. The undercut spout provides a clean overhead appearance, ample clearance, and a variety of spray insert options for a customized feel, as well as water conservation.

User Feedback



Undercut Spout



Integrated Side Mixer



0.50 gpm Multi-laminar Spray



1.5 gpm Full Stream Aerated



1.5 gpm Full Stream Laminar

Good for plumbers. Good for people. Good for the planet.

Basys® delivers conservation in every dimension.

Basys delivers water on-demand, and offers options that harvest power from a variety of alternative sources, including solar and turbine. And the high level of shared components within the line redefines what it means to be streamlined in operation, maintenance and environmental impact.

Basys keeps good batteries out of bad landfills.

Time after time, in-field research revealed that plumbers replaced batteries first as a standard, even though most had up to 70% life remaining. Many product innovations, like external diagnostic LED indicators, help prevent good materials from going to waste.

Basys is responsible. Just like Sloan.

In addition to offsetting 100% of the energy in our Franklin Park facility, Sloan is conscious of the total product life cycle. We made material choices for Basys that are environmentally responsible, while delivering the same quality, reliable products that have a long, lasting life.



BASYS® At-a-Glance

Low



A modest profile minimizes vandalism potential, making the Low ideal for high-use, low-security environments. Capacitance provides extra assurance with components protected below-deck. EFX-3

Low Integrated Base



Ideal for the most demanding high-use environments. The integrated base offers added durability via two attachment points. The capacitance model is especially robust.

EFX-6

Mid



This model provides optimal height and proportions for effective hand washing, making it well-suited for most restroom environments.

EFX-2

High



The tall profile offers a distinct aesthetic as well as an optimized delivery angle that permits a greater wash area. Users can scrub past their forearms if desired.

EFX-1

Wall



Elimination of the deck translates into uninterrupted clearance and a striking appearance. The spout attaches directly to a valve box in the wall, making this body type easy to install and secure.

EFX-8

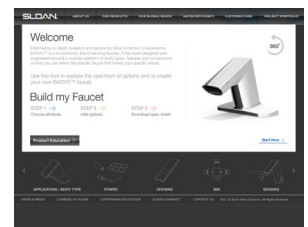
Ideal for	High-use environments	Demanding environments (intense use, high traffic, low security)	Basic use Moderate traffic	Environments with professional hygiene requirements	Medium-use environments
Crowns	Bowed Display Only (IR) Solar Only (IR) Solar + Display (IR)	Bowed Display Only (IR) Solar Only (IR) Solar + Display (IR)	Bowed Display Only Solar Only Solar + Display	Bowed Display Only Solar Only Solar + Display	Bowed Display Only Solar Only Solar + Display
Sensing, Power + Mix	Active Infrared None Integrated Side Mixer	Active Infrared None Integrated Side Mixer	Active Infrared None Integrated Side Mixer	Active Infrared None Integrated Side Mixer	Active Infrared None Integrated Side Mixer
	Capacitance None Below Deck Mechanical Below Deck Thermostatic	Capacitance None Below Deck Mechanical Below Deck Thermostatic			
Battery type	Alkaline	Alkaline	Alkaline	Alkaline	Lithium
Plate Options	4" 8"	...	4" 8"	4" 8"	...
Drain Pop-up	No	No	Optional	Optional	No

Hardwired Battery Operated Solar Turbine

UNIVERSAL SPECIFICATIONS

Flow Rates	0.50 gpm Multi-laminar Spray • 1.5 gpm Full Stream Aerated • 1.5 gpm Full Stream Laminar
Voltage Adapters	US Plug • UK Plug • EU Plug • Box-style • None
Finishes	Standard: Bright Chrome • Special Finish: Satin Chrome
Warranty	Three-year Limited Warranty

Build your Basys faucet with our new online Faucet Builder:
sloan.com/basys





Sloan Headquarters
10500 Seymour Avenue
Franklin Park, IL 60131
P: 800.982.5839
sloan.com/basys

SLOAN[®]