



**INSTALLATION INSTRUCTIONS**  
**SINGLE, DOUBLE, TRIPLE STATION**  
**DESIGNER SERIES**  
**SOLID SURFACE LAVATORY SYSTEMS**

**DSOF-80000/DSG-80000/DSWD-80000/DSCT-80000 Series**  
*Single/Double/Triple Station Solid Surface Lavatory Sink Systems*



**DSWD-81000 Designer Series Weir Deck**  
One Station Solid Surface Lavatory System



**DSWD-82000 Designer Series Weir Deck**  
Two Station Solid Surface Lavatory System



**DSWD-83000 Designer Series Weir Deck**  
Three Station Solid Surface Lavatory System



**DSOF-81000 Designer Series Open Front**  
One Station Solid Surface Lavatory System



**DSOF-82000 Designer Series Open Front**  
Two Station Solid Surface Lavatory System



**DSOF-83000 Designer Series Open Front**  
Three Station Solid Surface Lavatory System



**DSG-81000 Designer Series Gradient**  
One Station Solid Surface Lavatory System



**DSG-82000 Designer Series Gradient**  
Two Station Solid Surface Lavatory System



**DSG-83000 Designer Series Gradient**  
Three Station Solid Surface Lavatory System



**DSCT-81000 Designer Series Counter Top**  
One Station Solid Surface Lavatory System



**DSG-82000 Designer Series Counter Top**  
Two Station Solid Surface Lavatory System



**DSG-83000 Designer Series Counter Top**  
Three Station Solid Surface Lavatory System

**LIMITED WARRANTY**

Unless otherwise noted, Sloan Valve Company warrants its Products to be made of first class materials, free from defects of material or workmanship under normal use and to perform the service for which they are intended in a thoroughly reliable and efficient manner when properly installed and serviced, for a period of three years (1 year for SF Faucets, special finishes and PWT electronics and 30 days on PWT software) from date of purchase. During this period, Sloan Valve Company will, at its option, repair or replace any part or parts which prove to be thus defective if returned to Sloan Valve Company, at customer's cost, and this shall be the sole remedy available under this warranty. No claims will be allowed for labor, transportation or other incidental costs. This warranty extends only to persons or organizations who purchase Sloan Valve Company's products directly from Sloan Valve Company for purpose of resale. This warranty does not cover the life of the batteries.

**THERE ARE NO WARRANTIES WHICH EXTEND BEYOND THE DESCRIPTION ON THE FACE HEREOF. IN NO EVENT IS SLOAN VALVE COMPANY RESPONSIBLE FOR ANY CONSEQUENTIAL DAMAGES OF ANY MEASURE WHATSOEVER.**

## PRIOR TO INSTALLATION

Prior to installing the Sloan Designer Series Lavatory System, install the items listed below. Also, refer to the appropriate rough-in diagram on pages 2 – 6.

- Water Supply
- Hot and cold water supply lines or tempered water supply line
- Drain lines

**Important:**

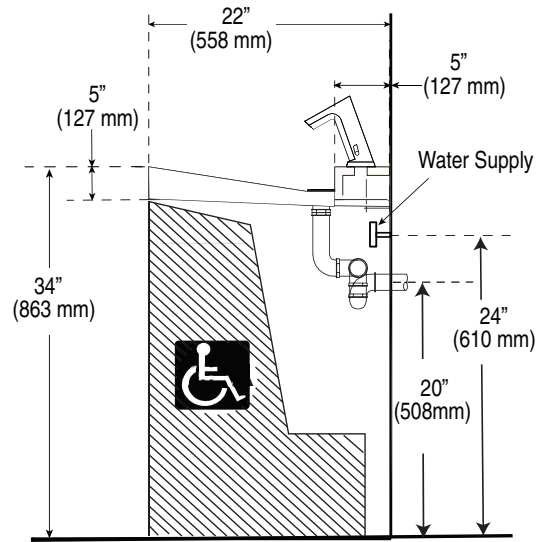
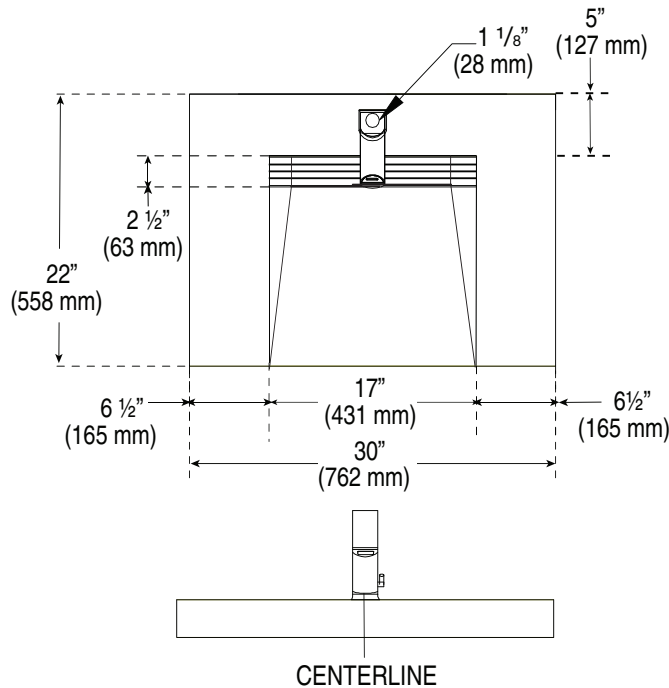
- ADEQUATE STRUCTURAL SUPPORT IN OR BEHIND THE WALL IS REQUIRED.

REFER TO THE APPROPRIATE ROUGH-IN DIAGRAM ON PAGES 2 – 6 FOR DRY WEIGHT OF SINK. STRUCTURAL SUPPORT MUST HAVE A MINIMUM PULLOUT RATING OF 1000 POUNDS (450 kg).

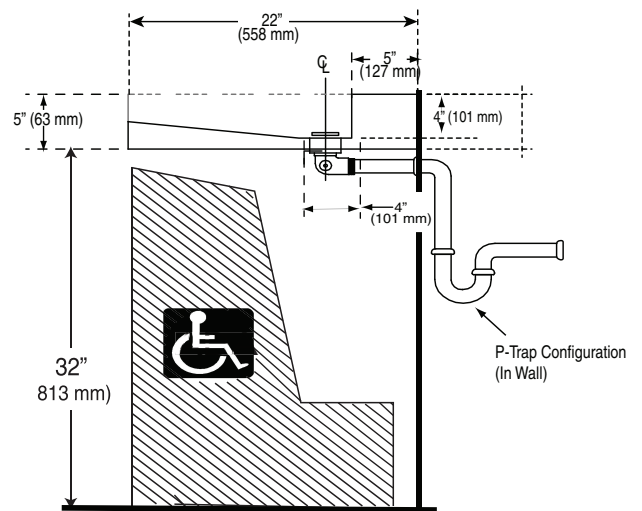
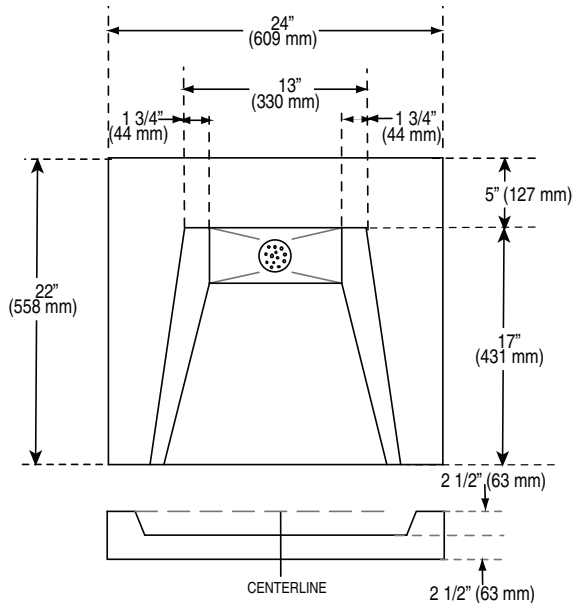
- ALL PLUMBING SHOULD BE INSTALLED IN ACCORDANCE WITH APPLICABLE CODES AND REGULATIONS.
- BEFORE CONNECTING FLEX HOSES TO SUPPLY STOPS, FLUSH ALL WATER LINES UNTIL WATER IS CLEAR.

## LAVATORY SYSTEM ROUGH-IN SINGLE STATION

### DSWD-81000 Designer Series Weir Deck Single Station Solid Surface Lavatory System

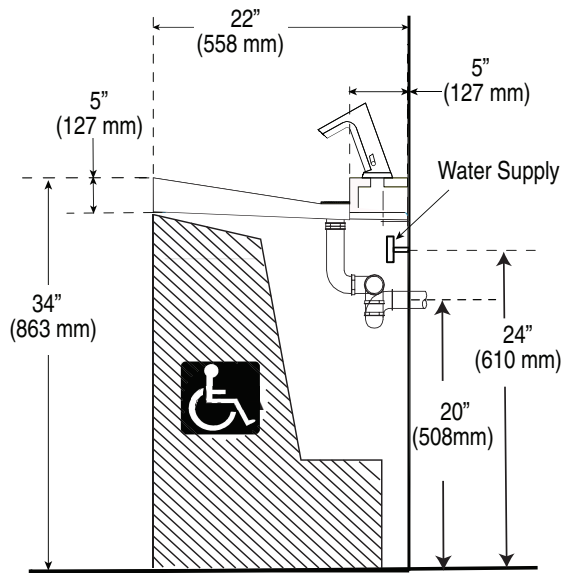
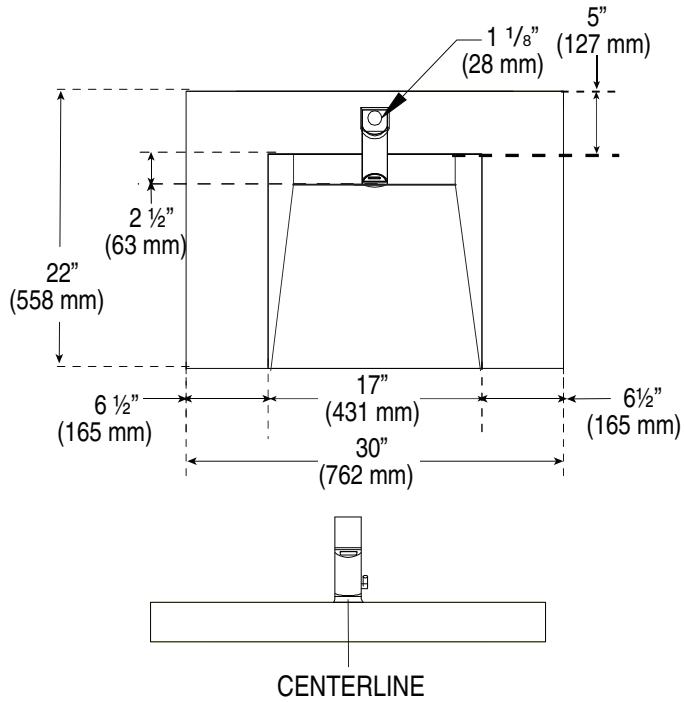


### DSOF-81000 Designer Series Open Front Single Station Solid Surface Lavatory System

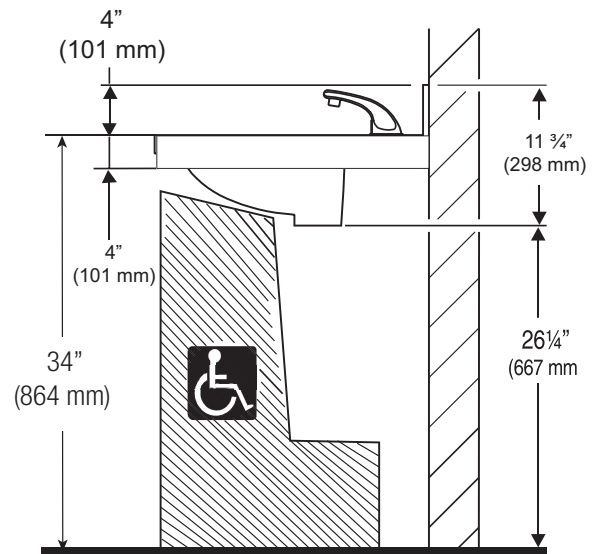
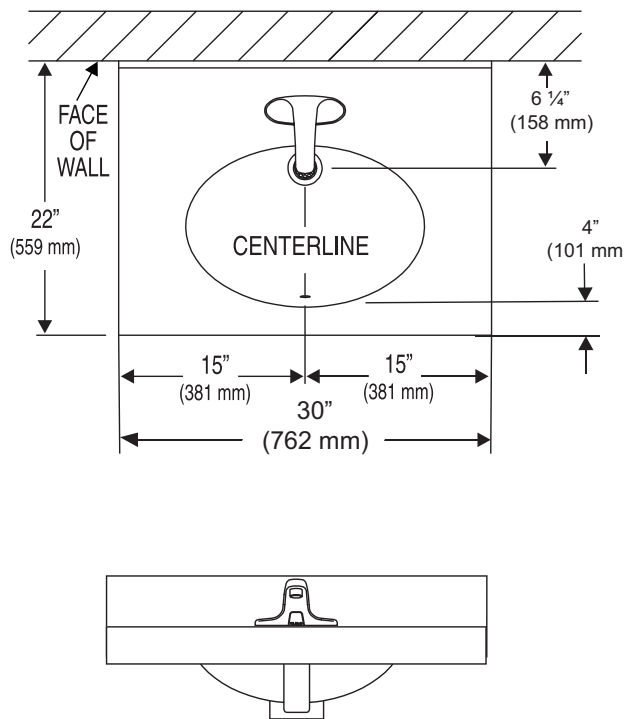


**LAVATORY SYSTEM ROUGH-IN SINGLE STATION**

**DSG-81000 Designer Series Gradient**  
Single Station Solid Surface Lavatory System

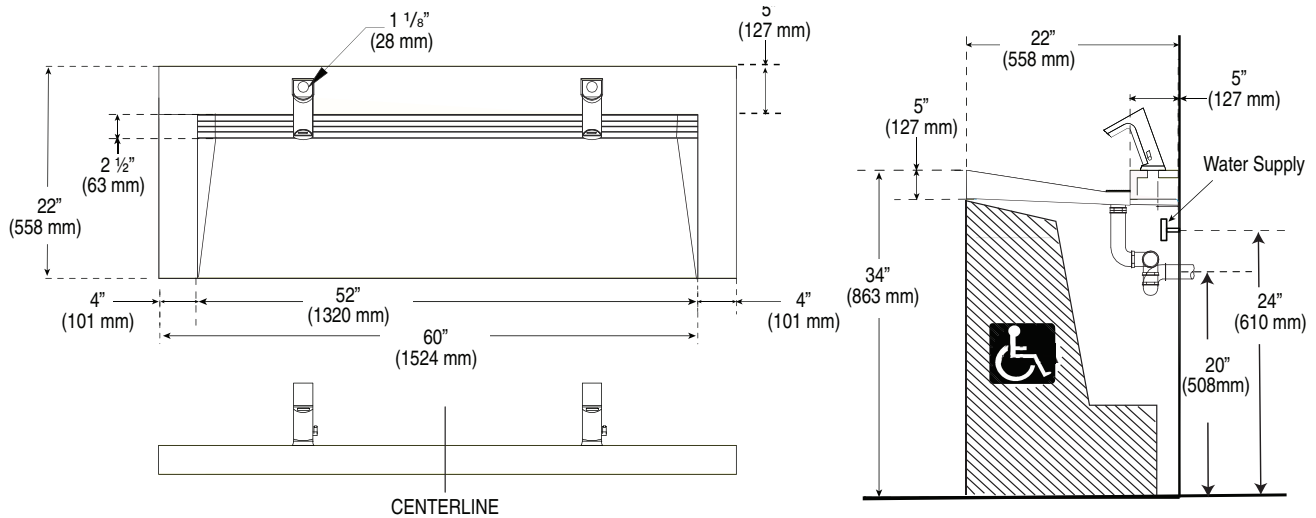


**DSCT-81000 Designer Series Counter Top**  
Single Station Solid Surface Lavatory System

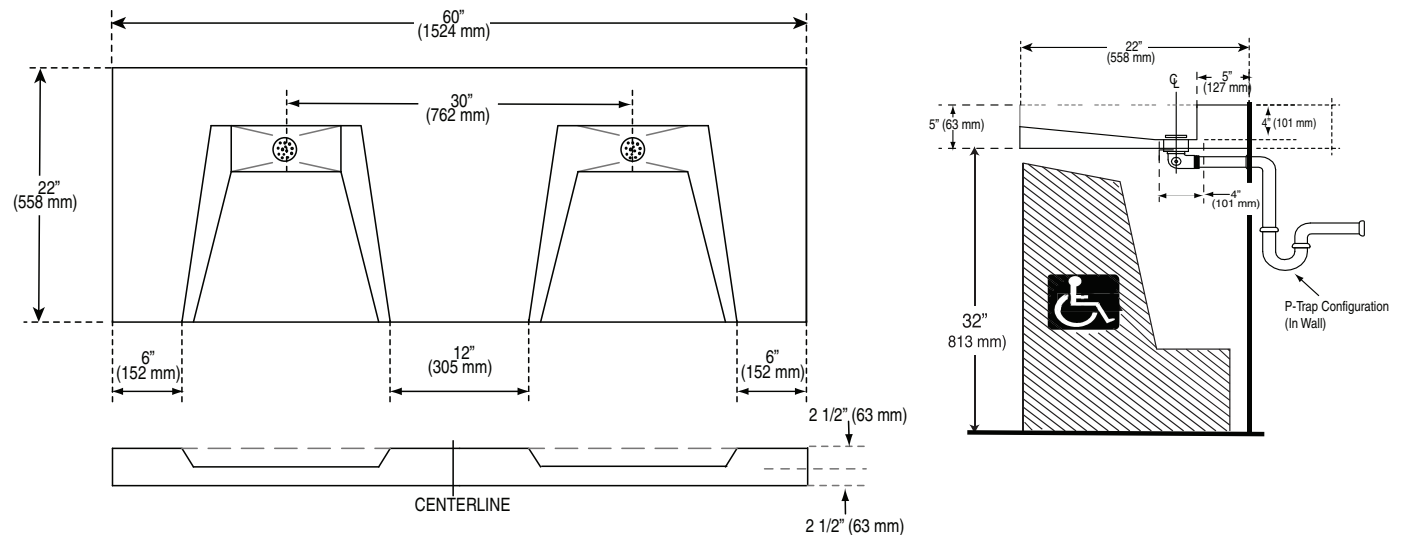


## LAVATORY SYSTEM ROUGH-IN TWO STATION

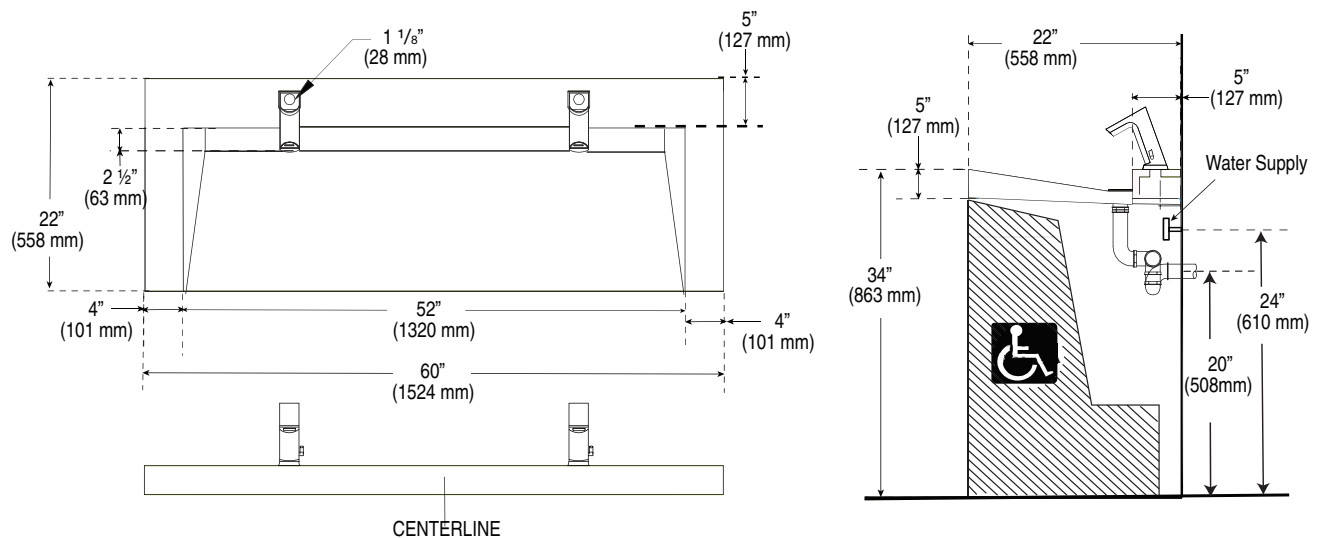
### DSWD-82000 Designer Series Weir Deck Double Station Solid Surface Lavatory System



### DSOF-82000 Designer Series Open Front Double Station Solid Surface Lavatory System

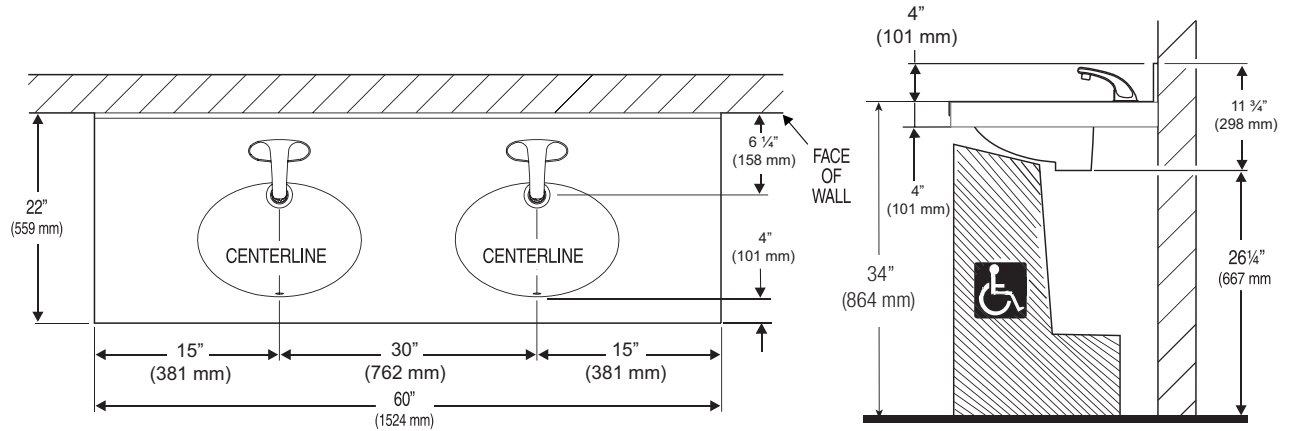


### DSG-82000 Designer Series Gradient Double Station Solid Surface Lavatory System



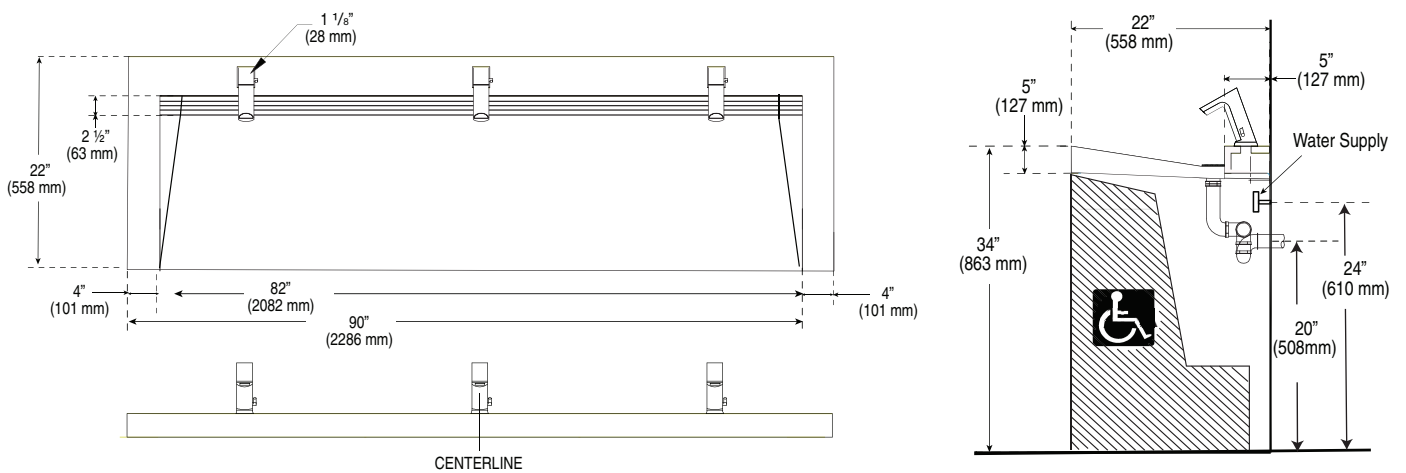
## LAVATORY SYSTEM ROUGH-IN TWO STATION

### DSCT-82000 Designer Series Counter Top Double Station Solid Surface Lavatory System

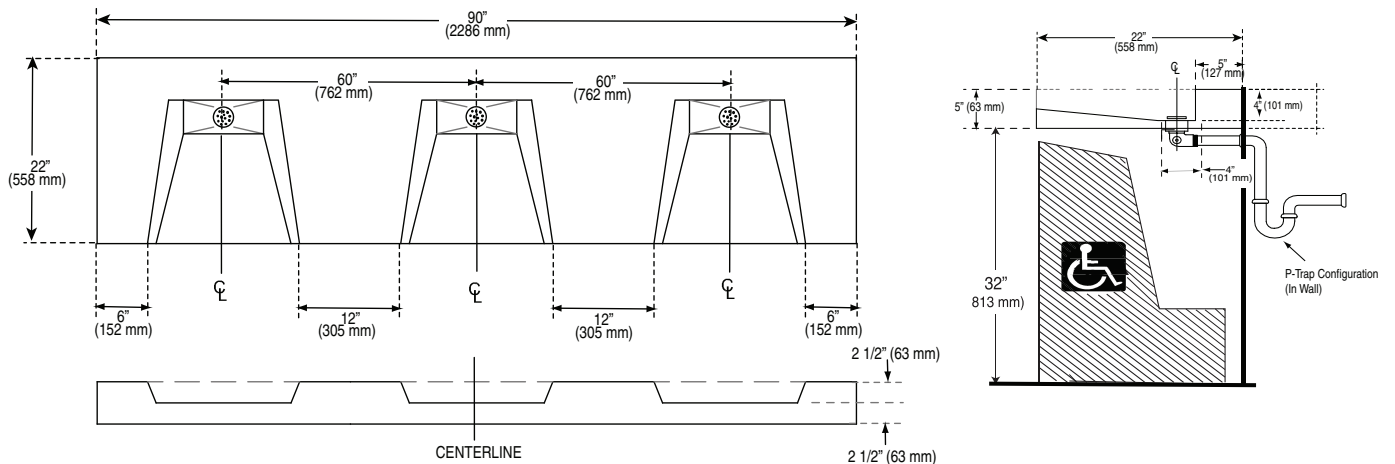


## LAVATORY SYSTEM ROUGH-IN THREE STATION

### DSWD-83000 Designer Series Wier Deck Triple Station Solid Surface Lavatory System



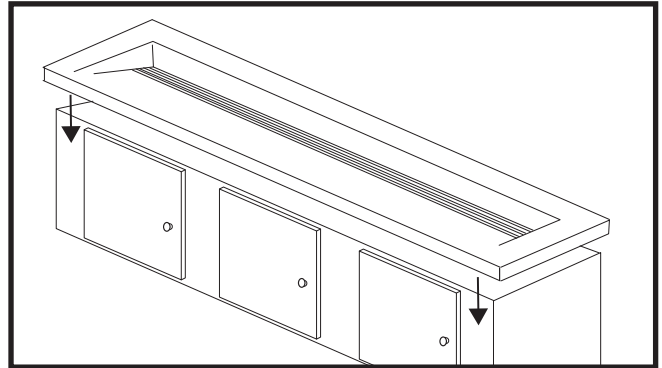
### DSOF-83000 Designer Series Open Front Triple Station Solid Surface Lavatory System





## 2A – VANITY MOUNTING

- A** Apply adhesive caulk (not supplied) to perimeter of vanity casework and corners of deck.
- B** With the help of another person, place the lavatory deck on vanity.



## 2B – WALL MOUNTING

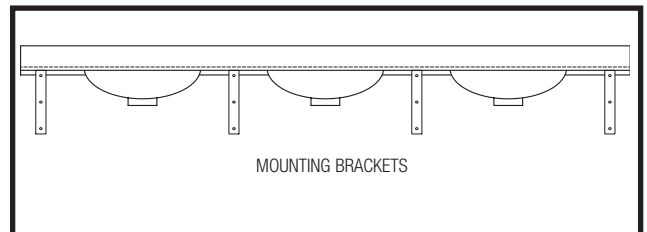
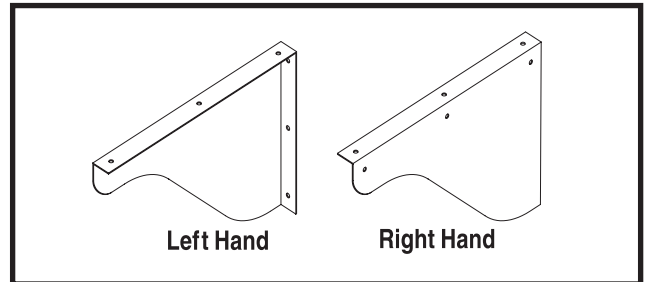
*Note: Wall mounting fasteners supplied by others.*

- A** Measure and mark a level line on the wall at your required height.
- B** Measure and mark the Bracket locations as shown. Drill holes in the wall using the Mounting Bracket as a template.
- C** Install wall anchors that are specific for that type of wall: drywall, concrete, metal studs, wood studs, etc. (supplied by installer). Some wall materials will require additional reinforcement. Anchors with a minimum pull-out force of 1000 lbs. (reinforce wall at anchor points.)
- D** Secure Mounting Brackets (optional) to the wall. Use left and right Brackets as required.

*Note: Be sure Mounting Bracket is level and plumb against wall so that Lavatory will drain correctly once assembly is completed.*

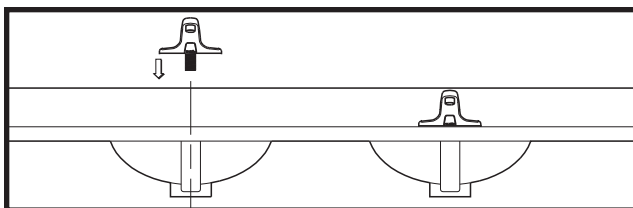
- E** Apply adhesive (not supplied) to brackets and corners of lavatory deck. With the help of another person, place the Lavatory on the Mounting Brackets and secure to screws to subtop.

*Caution: Do not leave lavatory on mounting brackets unsupported. It may fall and cause damage or personal injury.*



## 3 - INSTALL FAUCET, SENSOR, DRAIN AND WATER LINE CONNECTIONS

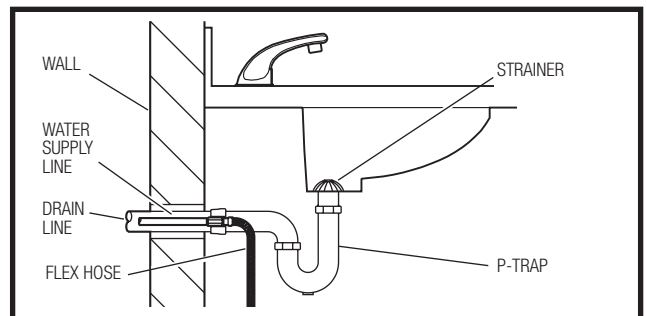
- A** Install faucet, sensor, and water line connections as instructed in the installation instructions furnished with the Faucet.



- B** Install P-trap and drain lines making sure that all connections are secure.

*Note: P-trap and drain lines furnished by others.*

- C** Flush supply line(s) of any debris. Install Flex Hose(s) to water supply line(s). Tighten fitting(s) securely.

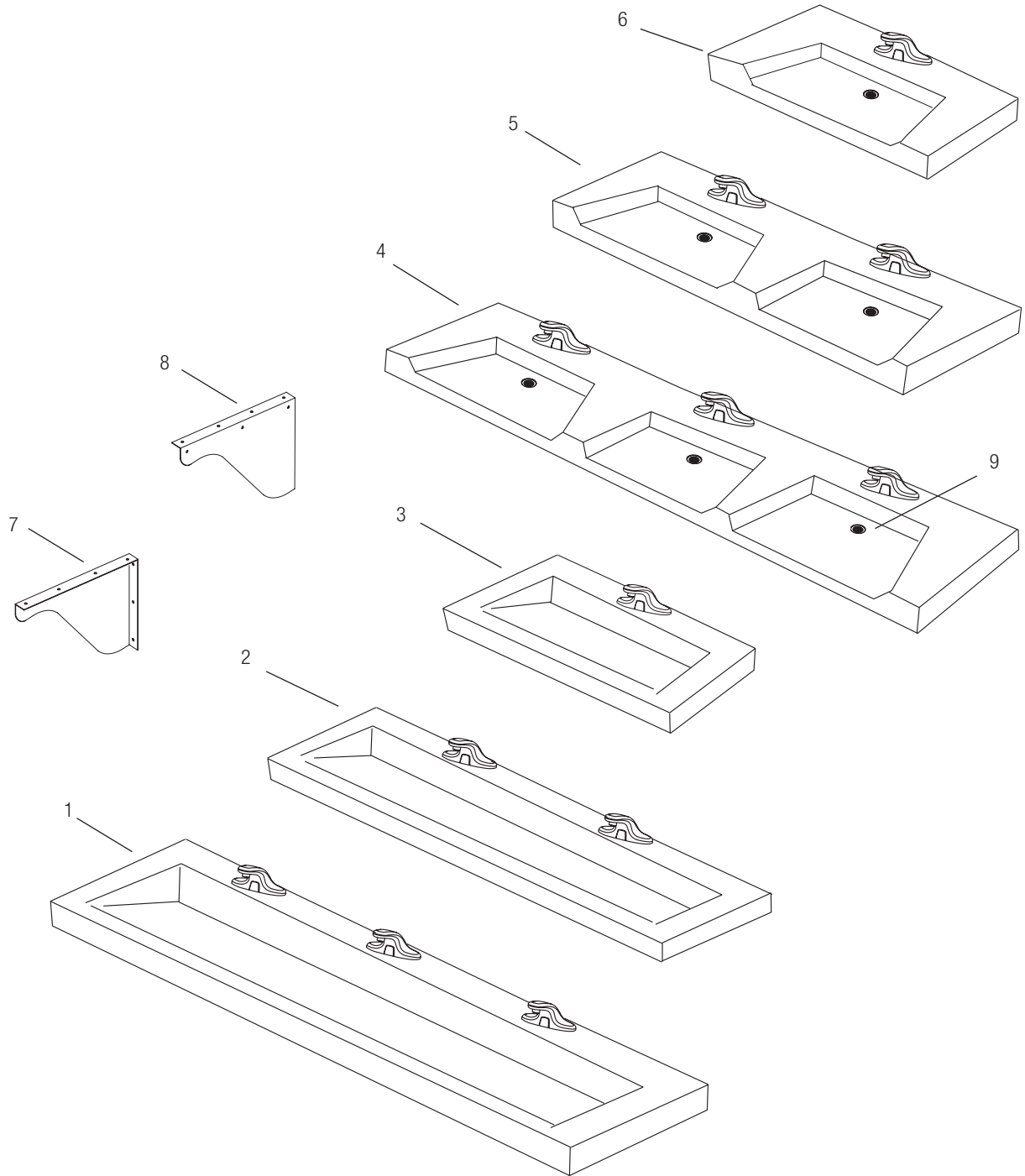


## CARE AND CLEANING

**DO NOT USE** abrasive or chemical cleaners (including chlorine bleach) to clean lavatory deck or faucets that may dull the luster and attack the finish. Use **ONLY** soap and water, then wipe dry with clean cloth or towel.

While cleaning the sink area, protect the faucet from any splattering of cleaner. Acids and cleaning fluids will discolor or remove chrome plating.

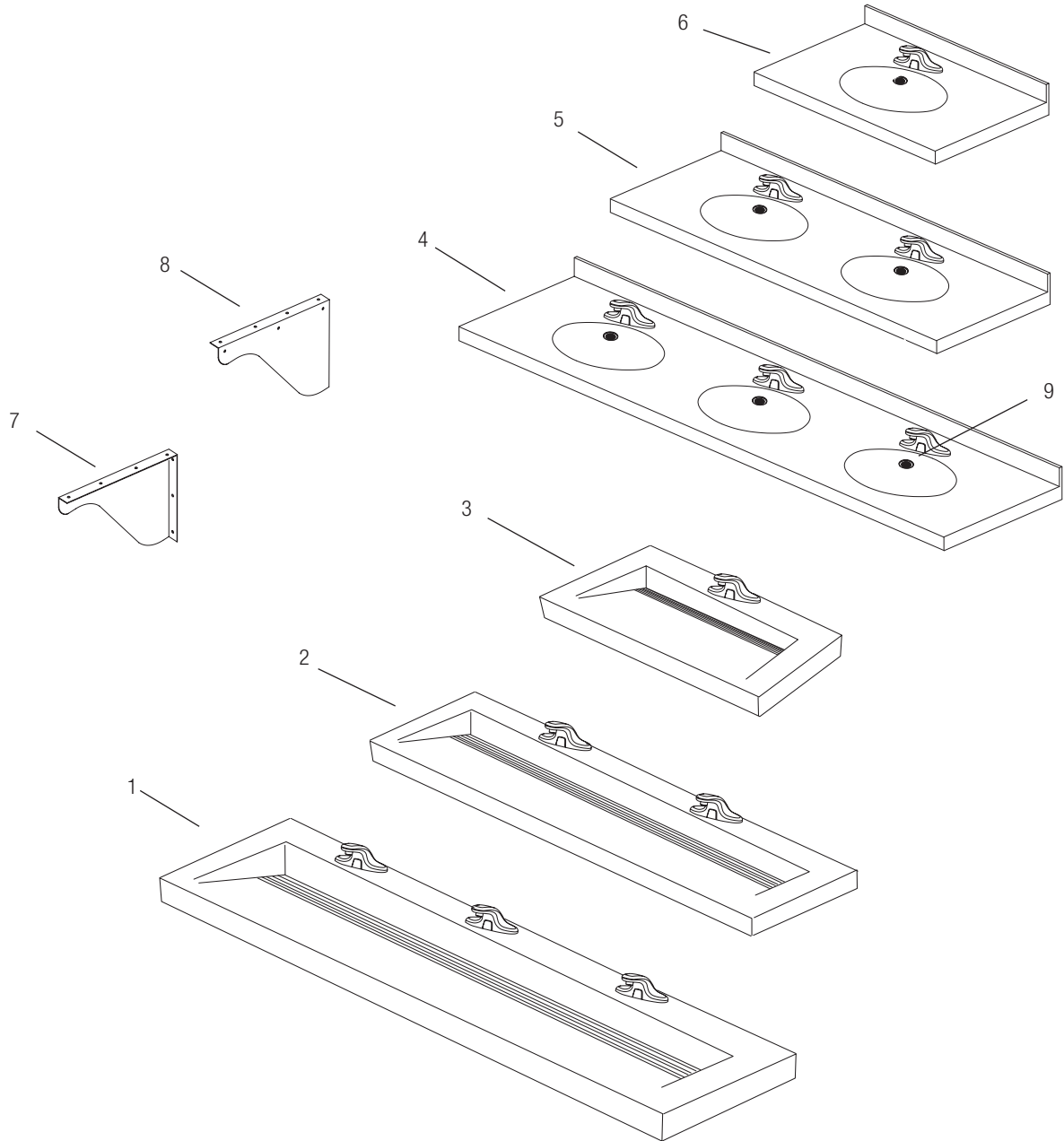
# PARTS LIST



| Item No. | Description  |
|----------|--|
| 1        | DSG-81000 Gradient (triple)                            |
| 2        | DSG-82000 Gradient (double)                            |
| 3        | DSG-83000 Gradient (single)                            |
| 4        | DSOF-83000 Open Front (triple)                         |
| 5        | DSOF-82000 Open Front (double)                         |
| 6        | DSOF-81000 Open Front (single)                         |
| 7        | ELB-3 Right Mounting Bracket (optional) (not supplied) |
| 8        | ELB-4 Left Mounting Bracket (optional) (not supplied)  |
| 9        | ETF-460-A Grid Strainer Assembly                       |
| -        | Sloan Faucet (model varies)                            |



# PARTS LIST



| Item No. | Description  |
|----------|--|
| 1        | DSWD-81000 Wier Deck (single)                          |
| 2        | DSWD-82000 Wier Deck (double)                          |
| 3        | DSWD-83000 Wier Deck (triple)                          |
| 4        | DSCT-83000 Counter Top (triple)                        |
| 5        | DSCT-82000 Counter Top (double)                        |
| 6        | DSCT-81000 Counter Top (single)                        |
| 7        | ELB-3 Right Mounting Bracket (optional) (not supplied) |
| 8        | ELB-4 Left Mounting Bracket (optional) (not supplied)  |
| 9        | ETF-460-A Grid Strainer Assembly                       |
| -        | Sloan Faucet (model varies)                            |

**NOTICE:**

The information contained in this document is subject to change without notice.

**SLOAN • 10500 SEYMOUR AVENUE • FRANKLIN PARK, IL 60131**

Phone: 1-800-9-VALVE-9 or 1-847-671-4300 • Fax: 1-800-447-8329 or 1-847-671-4380 • [www.sloanvalve.com](http://www.sloanvalve.com)

COPYRIGHT © 2012 SLOAN VALVE COMPANY

Code No. 081664 – Rev. 1 (10/12)