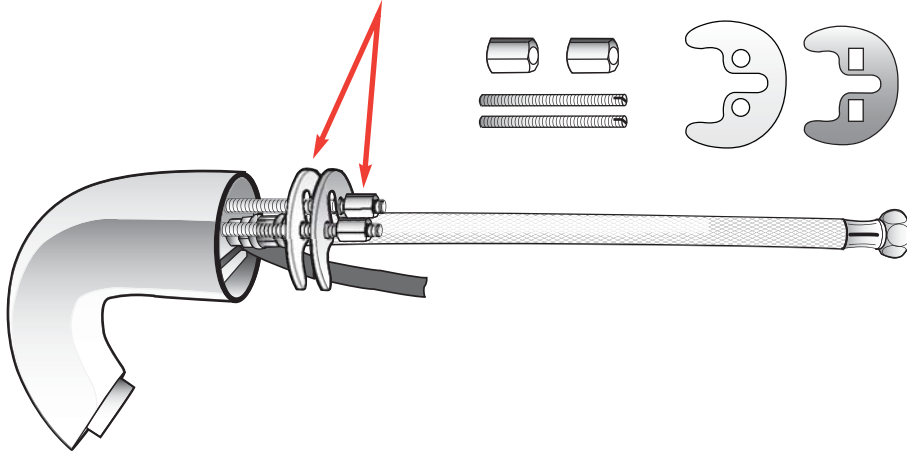


INSTALLATION INSTRUCTIONS SF-2100 and SF-2150 FAUCET EXTENSION KIT

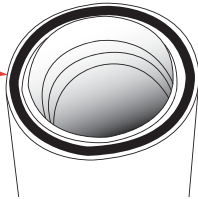
1. Remove the Faucet Mounting Components.

A. Remove retainer nuts, retainer, gasket and studs.

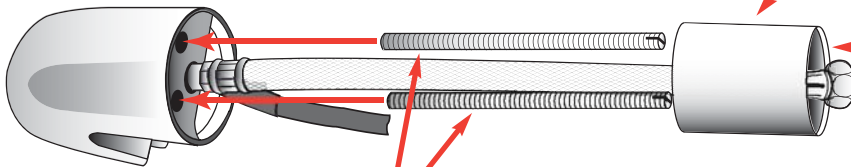


2. Install the Extension Kit

A. Install O-ring onto Extension Cylinder.



C. Guide Extension Cylinder over flexible supply tube and studs.



B. Install studs into base of faucet.

D. Slide Extension Cylinder to base of faucet.

Refer to Installation Instruction Manual **0816496** included with your SF-2100 or SF-2150 Faucet for complete Faucet installation. Begin at Step 2.

The information contained in this document is subject to change without notice.