

Model  
**WETS 2050.1301-1.28 ES-S**  
OPTIMA® Systems Sensor Activated HET Flushometer and HET Wall Hung Water Closet

**DESCRIPTION**

Complete HET system with exposed, sensor activated, Royal® OPTIMA® closet Flushometer and vitreous china wall hung water fixture.

**Flush Cycle**

Model WETS 2050.1301-1.28-ES-S (1.28 gpf/4.8 Lpf)



Meets the American Disabilities Guidelines and ANSI A117.1 requirements when installed according to these requirements.



**NOTE:**

- Plumbing System Requirements
- Minimum **Flowing** Pressure: 25 PSI
  - Minimum Flow Rate: 18 GPM

**SPECIFICATIONS**

Quiet, exposed, sensor activated diaphragm type, chrome plated closet Flushometer for either left or right hand supply and vitreous china wall hung water closet with the following features:

**Flushometer and OPTIMA® ES-S Unit**

- PERMEX™ Synthetic Rubber Diaphragm with Dual Filtered Fixed Bypass
- OPTIMA® EL-1500-L Self-Adaptive Infrared Sensor with Indicator Light
- User friendly three (3) second Flush Delay
- Courtesy Flush™ Override Button
- Non-Hold-Open Integral Solenoid Operator
- Two (2) Chrome Plated Wall Cover Plates (for 2-gang Electrical Box) with Vandal Resistant Screws
- High Back Pressure Vacuum Breaker Flush Connection with One-Piece Bottom Hex Coupling Nut, Spud Coupling and Flange for 1-1/2" Top Spud
- High Copper, Low Zinc Brass Castings for Dezincification Resistance
- Non-Hold-Open Integral Solenoid Operator, Fixed Metering Bypass and No External Volume Adjustment to Ensure Water Conservation
- Flush Accuracy Controlled by CID™ Technology
- Diaphragm, Stop Seat and Vacuum Breaker to be molded from PERMEX™ Rubber Compound for Chloramine Resistance
- Valve Body, Cover, Tailpiece and Control Stop shall be in conformance with ASTM Alloy Classification for Semi-Red Brass. Valve shall be in compliance with the applicable sections of ASSE 1037.

**Fixture**

- Wall hung vitreous china elongated bowl
- Siphon jet flushing action
- 1-1/2" I.P.S. top spud inlet
- 2 1/8" fully glazed trapway diameter
- Integral flushing rim
- Water spot area 9 1/2" x 8 1/4"
- Mounting hardware, carrier and toilet seat not included
- Compatible with toilet seat models: Olsonite 10CT, Bemis 1955CT & Church Commercial 295CT
- Compatible with carrier model: Jay R. Smith 0210Y-M54
- Water closet shall be in compliance to the applicable sections of ASME A112.19.2/CSA B45.1
- Compliant with the Buy American Act when purchased as a combination

**FEATURES**

**Automatic**

Sloan OPTIMA® equipped Flushometers provide the ultimate in sanitary protection and automatic operation. There are no handles to trip or buttons to push. The Flushometer operates by means of an infrared sensor that adapts to its surroundings. Once the user enters the sensor's effective range and then steps away, the Flushometer Solenoid initiates the flushing cycle to flush the fixture.

**Hygienic**

User makes no physical contact with the Flushometer surface. Helps control the spread of infectious diseases. 24-hour Sentinel Flush keeps fixture fresh during periods of nonuse.

**Economical**

Automatic operation provides water usage savings over other flushing devices. Reduces maintenance and operation costs.

**Practical**

Solid state electronic circuitry assures years of dependable, trouble-free operation. The operational components of the Flushometer are identical to a handle activated Royal® Flushometer, proven by more than 100 years of experience.

**Warranty**

3 year (limited)



Sloan Valve Company is buying renewable energy certificates to meet 100% of the company's purchased electricity use at its Franklin Park, Illinois facility.

**SLOAN**

Sloan Valve Company  
10500 Seymour Avenue  
Franklin Park, IL 60131  
Phone: 1-800-9-VALVE-9 (982-5839)  
or 1-847-671-4300  
Fax: 1-800-447-8329 or 1-847-671-4380  
www.sloanvalve.com

Copyright © 2010 Sloan Valve Company  
Rev. 0b (06/10)

This space for Architect/Engineer approval	
Job Name	Date
Model Specified	Quantity
Variations Specified	
Customer/Wholesaler	
Contractor	
Architect	

Model  
**WETS 2050.1301-1.28 ES-S**  
OPTIMA® Systems Sensor Activated HET Flushometer and HET Wall Hung Water Closet

**DESCRIPTION**

Complete HET system with exposed, sensor activated, Royal® OPTIMA® closet Flushometer and vitreous china wall hung water fixture.

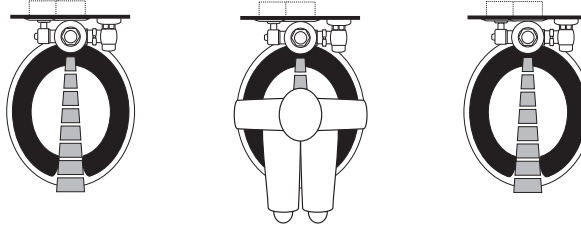
**Flush Cycle**

Model WETS 2050.1301-1.28-ES-S  
(1.28 gpf/4.8 Lpf)

**ELECTRICAL SPECIFICATIONS**

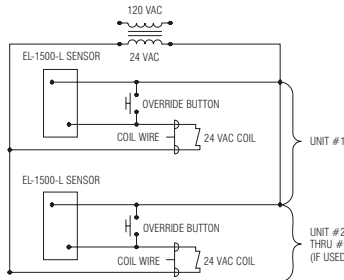
- **Control Circuit**  
Solid State  
24 VAC Input  
24 VAC Output  
8 Second Arming Delay  
24 Hour Sentinel Flush
- **OPTIMA® Sensor Range**  
Nominal 15" – 30" (381 mm – 762 mm)  
Self-adaptive Window ± 8" (203 mm)
- **Solenoid Operator**  
24 VAC, 50/60 Hz
- **Transformer Accessories**  
EL-154 Transformer (120 VAC/24 VAC 50 VA)  
EL-342 Transformer (240 VAC/24 VAC 50 VA)

**OPERATION**

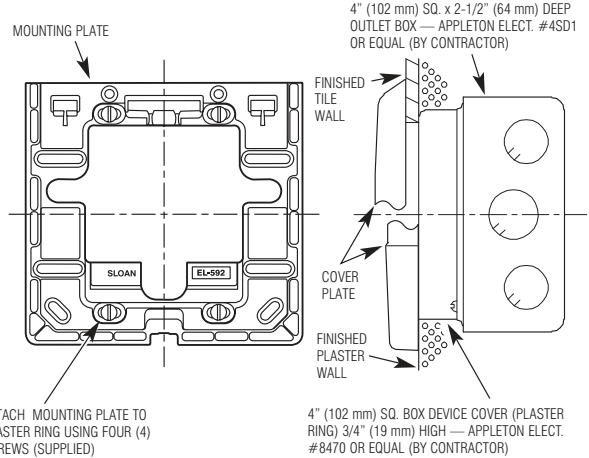


1. A continuous, invisible light beam is emitted from the OPTIMA® Sensor.
2. As the user enters the beam's effective range (15" to 30") the beam is reflected into the OPTIMA® Scanner Window and transformed into a low voltage electrical circuit. Once activated, the Output Circuit continues in a "hold" mode for as long as the user remains within the effective range of the sensor.
3. When the user steps away from the OPTIMA® Sensor, the circuit immediately initiates an electrical "one-time" signal that operates the Solenoid. This initiates the flushing cycle to flush the fixture. The Circuit then automatically resets and is ready for the next user.

**WIRING DIAGRAM**



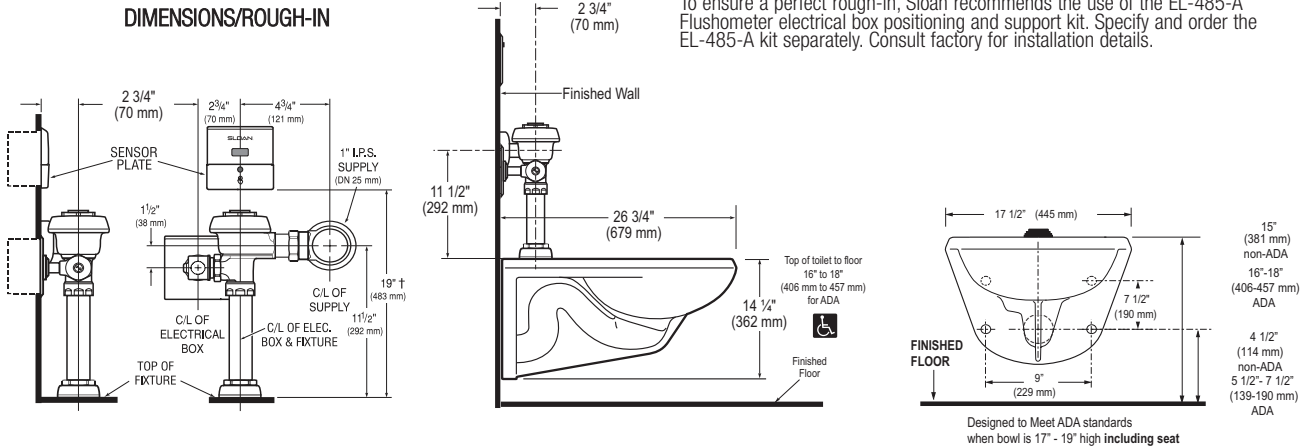
One Transformer serves up to ten (10) OPTIMA Closet/Urinal Flushometers. Specify number of transformers required accordingly.



ATTACH MOUNTING PLATE TO PLASTER RING USING FOUR (4) SCREWS (SUPPLIED)

To ensure a perfect rough-in, Sloan recommends the use of the EL-485-A Flushometer electrical box positioning and support kit. Specify and order the EL-485-A kit separately. Consult factory for installation details.

**DIMENSIONS/ROUGH-IN**



Designed to Meet ADA standards when bowl is 17" - 19" high including seat

**SLOAN VALVE COMPANY • 10500 SEYMOUR AVENUE • FRANKLIN PARK, IL 60131**

Phone: 1-800-9-VALVE-9 or 1-847-671-4300 • Fax: 1-800-447-8329 or 1-847-671-4380 • www.sloanvalve.com