

Model  
**WETS 2010.1011-1.28**  
Manual Hydraulic Concealed Flushometer and Floor Mounted Water Closet

 These products when installed as a combination as shown, meet the "Buy American Act" requirements

**DESCRIPTION**

Complete HET system with concealed manual hydraulic Royal® water closet Flushometer and vitreous china water closet.

**Flush Cycle**

Model WETS 2010.1011-1.28 (1.28 gpf/4.8 Lpf)



Meets the American Disabilities Guidelines and ANSI A117.1 requirements when installed according to these requirements.



**NOTE:** Plumbing System Requirements

- ✓ Minimum **Flowing** Pressure: 25 PSI
- ✓ Minimum Flow Rate: 18 GPM

**SPECIFICATIONS**

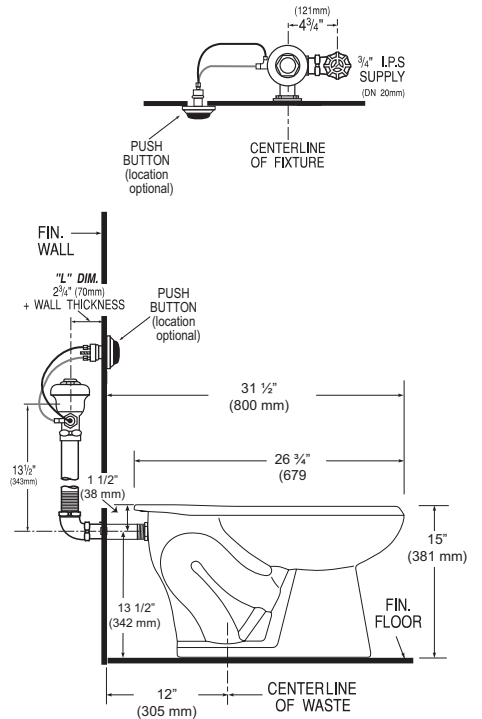
Quiet, concealed, diaphragm type, chrome plated closet Flushometer and vitreous china water closet with the following features:

**Flushometer**

- PERMEX® Synthetic Rubber Diaphragm with Dual Filtered Fixed Bypass
- Metal oscillating Non-Hold-Open Handle with Triple Seal Handle Packing
- Elbow Flush Connection
- Exposed Part Chrome Plated
- 1" I.P.S. Screwdriver Bak-Chek® Angle Stop
- Free spinning Vandal Resistant Stop Cap
- High Back Pressure Vacuum Breaker Flush Connection with One-piece Bottom Hex Coupling Nut
- High copper, low zinc brass castings for dezincification resistance
- Non-Hold-Open Handle, Fixed Metering Bypass and no external volume adjustment to ensure water conservation
- Flush accuracy controlled by CID® technology
- Diaphragm, Handle Packing, Stop Seat and Vacuum Breaker molded from PERMEX® rubber compound for chloramine resistance
- Valve Body, Cover, Tailpiece and Control Stop shall be in conformance with ASTM Alloy Classification for Semi-Red Brass. Valve shall be in compliance to the applicable sections of ASSE 1037. Installation is ADA compliant

**Water Closet**

- Floor mounted vitreous china elongated bowl
- 1.5" I.P.S. top spud inlet
- 2" fully glazed trapway diameter
- ADA compliant
- Integral flushing rim
- Siphon jet flush
- Closet bolts and caps included
- 100% factory flush tested
- Complies to the applicable sections of: ANSI/ASME A112.19.2 and CSA B45.1
- Toilet seat not included
- Compatible with toilet seat models: Olsonite 10CT, Bemis 1955CT, & Church Commercial 295CT



Made In The  
**USA**



Sloan Valve Company is buying renewable energy certificates to meet 100% of the company's purchased electricity use at its Franklin Park, Illinois facility.

This space for Architect/Engineer approval	
Job Name	Date
Model Specified	Quantity
Variations Specified	
Customer/Wholesaler	
Contractor	
Architect	

**SLOAN**

Sloan Valve Company  
10500 Seymour Avenue  
Franklin Park, IL 60131  
Phone: 1-800-9-VALVE-9 (982-5839)  
or 1-847-671-4300  
Fax: 1-800-447-8329 or 1-847-671-4380  
www.sloanvalve.com

Copyright © 2009 Sloan Valve Company  
Printed in the U.S.A. Rev. 0b (12/09)