

Model  
**WETS 2050.1201-1.28 SOLIS®**  
Solar-Powered HET Flushometer and HET Wall Hung Water Closet

**DESCRIPTION**

Complete HET system with Solar-Powered, Sensor activated Sloan Solis® closet Flushometer and vitreous china wall hung fixture.

**Flush Cycle**

Model WETS 2050.1201-1.28 SOLIS® (1.28 gpf/4.8 Lpf)



Meets the American Disabilities Guidelines and ANSI A117.1 requirements when installed according to these requirements.



**NOTE:**

- Plumbing System Requirements
- Minimum **Flowing** Pressure: 25 PSI
  - Minimum Flow Rate: 18 GPM

**SPECIFICATIONS**

Quiet, exposed, diaphragm type, chrome plated closet Flushometer for either left or right hand supply with the following features:

**Flushometer**

- PERMEX® Synthetic Rubber Diaphragm with Dual Filtered Fixed Bypass
- Flex Tube Diaphragm designed for improved life and reduced maintenance
- ADA Compliant Sloan Solis® Solar-Powered Solis® Infrared Sensor for automatic "No Hands" operation
- Infrared Sensor with Multiple-focused, Lobular Sensing Fields for high and low target detection
- Latching Solenoid Operator
- Engineered Metal Cover with replaceable Lens Window
- Courtesy Flush™ Override Button
- Sensor assembly powered by a solar cell that will harvest power from artificial indoor light, either incandescent or fluorescent light, providing approximately 100% power with 650 illuminance (lux).
- Four (4) Size AA Battery back-up power source
- "Low Battery" Flashing LED
- Infrared Sensor Range Adjustment Screw
- Initial Set-up Range Indicator Light (first 10 minutes)
- Chrome Plated Metal Handle Cap
- 1" I.P.S. Screwdriver Bak-Chek® Angle Stop
- High Back Pressure Vacuum Breaker Flush Connection with One-piece Bottom Hex Coupling Nut
- Spud Coupling and Flange for 1-1/2" Top Spud
- Sweat Solder Adapter with Cover Tube and Cast Wall Flange with Set Screw
- High copper, low zinc brass castings for dezincification resistance
- Fixed Metering Bypass and no external volume adjustment to ensure water conservation
- Flush Accuracy Controlled by CID® Technology
- Diaphragm, Stop Seat and Vacuum Breaker to be molded from PERMEX® rubber compound for chloramine resistance
- Valve Body, Tailpiece and Control Stop shall be in conformance with ASTM Alloy Classification for Semi-Red Brass. Valve shall be in compliance with the applicable sections of ASSE 1037.

**SPECIFICATIONS (CONTINUED)**

**Fixture**

- Wall hung vitreous china elongated bowl
- Siphon jet flushing action
- 1-1/2" I.P.S. top spud inlet
- 2 1/8" fully glazed trapway diameter
- Integral flushing rim
- Water spot area 9 1/2" x 8 1/4"
- Mounting hardware, carrier and toilet seat not included
- Compatible with toilet seat models: Olsonite 10CT, Bemis 1955CT & Church Commercial 295CT
- Compatible with carrier model: Jay R. Smith 0210Y-M54
- Water closet shall be in compliance to the applicable sections of ASME A112.19.2/CSA B45.1
- Compliant with the Buy American Act when purchased as a combination

**FEATURES**

**Automatic**

Sloan SOLIS® solar-powered Flushometers activate via multi-lobular sensor detection to provide the ultimate in sanitary protection and automatic operation. A solar-powered infrared sensor sets the flushing mechanism after the user is detected and completes the flush when the user steps away.

**Functional & Hygienic**

Touchless, sensor operation eliminates the need for user contact to help control the spread of infectious diseases. The Sloan Solis® Flushometer is provided with an Override Button to allow a "courtesy flush" for individual user comfort.

**Economical**

Solar power with back-up batteries provide years of metered flushing to control the use of water and energy. Batteries can be changed without turning off the water.

**Warranty**

3 year (limited)

Sloan SOLIS® Flushometer U.S. Patent No. D598,975



Sloan Valve Company is buying renewable energy certificates to meet 100% of the company's purchased electricity use at its Franklin Park, Illinois facility.

**SLOAN**®

Sloan Valve Company  
10500 Seymour Avenue  
Franklin Park, IL 60131  
Phone: 1-800-9-VALVE-9 (982-5839)  
or 1-847-671-4300  
Fax: 1-800-447-8329 or 1-847-671-4380  
www.sloanvalve.com

Copyright © 2010 Sloan Valve Company  
Rev. 0b (06/10)

This space for Architect/Engineer approval	
Job Name	Date
Model Specified	Quantity
Variations Specified	
Customer/Wholesaler	
Contractor	
Architect	

Model  
**WETS 2050.1201-1.28 SOLIS®**  
Solar-Powered HET Flushometer and HET Wall Hung Water Closet

**DESCRIPTION**

Complete HET system with Solar-Powered, Sensor activated Sloan Solis® closet Flushometer and vitreous china wall hung fixture.

**Flush Cycle**

Model WETS 2050.1201-1.28 SOLIS® (1.28 gpf/4.8 Lpf)

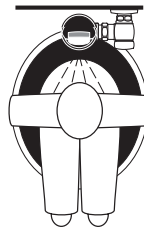
**ELECTRICAL SPECIFICATIONS**

- **Control Circuit**  
Solid State  
6 VDC Input  
8 Second Arming Delay  
72 hour Sentinel Flush
- **Sloan SOLIS® Flush Sensor Type**  
Active Infrared
- **Sloan SOLIS® Flush Sensor Range**  
Nominal 22" - 42" (559 mm - 1067 mm),  
Adjustable ± 8" (203 mm)
- **Battery Back-up Type**  
(4) AA Alkaline
- **Battery Life**  
6 Years @ 4,000 flushes/month
- **Indicator Lights**  
Range adjustment/low battery
- **Operating Pressure**  
15 – 100 psi (104 – 689 kPa)
- **Sentinel Flush**  
Once every 72 Hours after the last flush

**OPERATION**



1. A continuous, invisible light beam is emitted from the Sloan SOLIS® Flush Sensor.

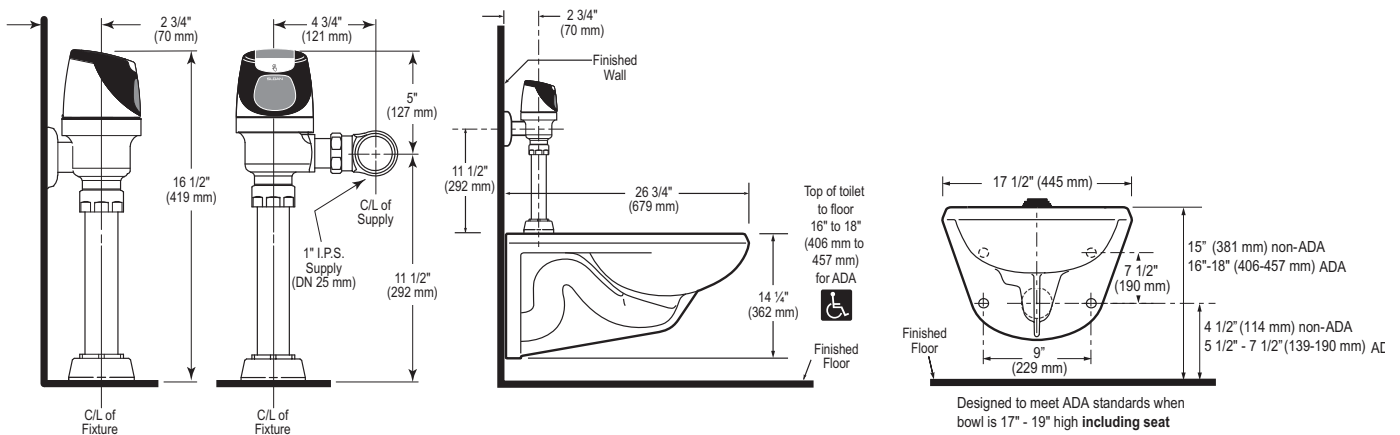


2. As the user enters the beam's effective range, 22 to 42 inches (559 mm to 1067 mm), the beam is reflected into the Scanner Window to activate the Output Circuit. Once activated, the Output Circuit continues in a "hold" mode for as long as the user remains within the effective range of the sensor. If the user stays longer than 65 seconds, a full flush will automatically initiate when the user leaves.



3. When the user steps away from the Sloan Solis® Sensor, the circuit waits 3 seconds (to prevent false flushing) then initiates an electrical signal that operates the Solenoid. This initiates the flushing cycle to flush the fixture. The Circuit then automatically resets and is ready for the next user.

**DIMENSIONS/ROUGH-IN**



**SLOAN VALVE COMPANY • 10500 SEYMOUR AVENUE • FRANKLIN PARK, IL 60131**

Phone: 1-800-9-VALVE-9 or 1-847-671-4300 • Fax: 1-800-447-8329 or 1-847-671-4380 • www.sloanvalve.com