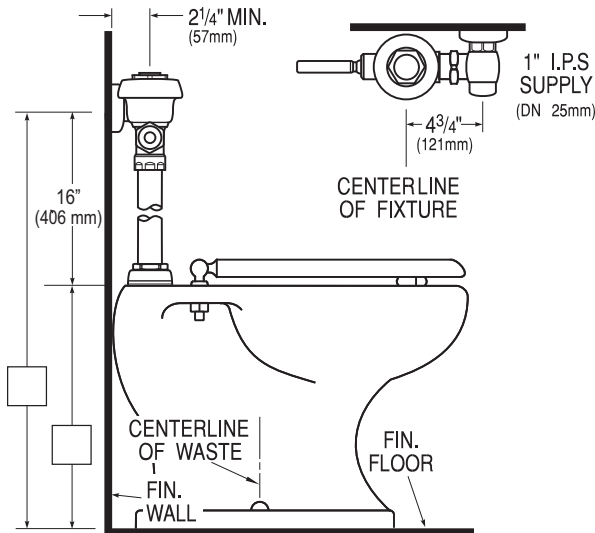


# UPPERCUT™

The Fastest Way to Start Saving Water!



## Dual-Flush Flushometer WES-113

- ▶ **Description**  
Exposed Water Closet Flushometer with Dual-Flush Feature, for floor mounted or wall hung top spud bowls.
  - ▶ **Flush Cycle**  
Model WES-113 High Efficiency (Down 1.6 gpf/6.0 Lpf, Up 1.1 gpf/4.2 Lpf)
  - ▶ **Specifications**  
Dual-Flush, Quiet, Exposed, Diaphragm Type, Chrome Plated Closet Flushometer with the following features:
    - Lifting handle UP initiates a reduced flush (1.1 gpf/4.2 Lpf), eliminating liquid and paper waste, saving a ½-gallon of water
    - Pushing handle DOWN initiates a full flush (1.6 gpf/6.0 Lpf), eliminating solid and liquid waste and paper
    - Reduces water volume by up to 30% when activated UPWARDS
    - Antimicrobial Coating on Handle protects against germs
    - PERMEX™ Synthetic Rubber Diaphragm with Dual Filtered Fixed Bypass
    - Distinctive Green ADA Compliant Metal Non-Hold-Open Handle with Triple Seal Handle Packing signifies Water Conserving Device
    - 1" I.P.S. Screwdriver Bak-Chek™ Angle Stop
    - Free Spinning Vandal Resistant Stop Cap
    - Adjustable Tailpiece
    - High Back Pressure Vacuum Breaker Flush Connection with One-piece Bottom Hex Coupling Nut
    - Spud Coupling and Flange for 1½" Top Spud
    - Sweat Solder Adapter with Cover Tube and Cast Set Screw Wall Flange
    - High Copper, Low Zinc Brass Castings for Dezincification Resistance
    - Non-Hold-Open Handle, Fixed Metering Bypass and No External Volume Adjustment to Ensure Water Conservation
    - Flush Accuracy Controlled by CID™ Technology
    - Diaphragm, Handle Packing, Stop Seat and Vacuum Breaker molded from PERMEX™ Rubber Compound for Chloramine Resistance
    - Includes (2) adhesive backed Metal Wall Plates etched with Instructions
- Valve Body, Cover, Tailpiece and Control Stop shall be in conformance with ASTM Alloy Classification for Semi-Red Brass. Valve shall be in compliance to the applicable sections of ASSE 1037.

- ▶ **Accessories**  
See Accessories Section of the Sloan catalog for details on these and other Flushometer variations.
- ▶ **Fixtures**  
Consult Sloan for Sloan brand matching fixture options.



Patent Pending



This space for Architect/Engineer approval

The information contained in this document is subject to change without notice.

### SLOAN®

SLOAN VALVE COMPANY • 10500 SEYMOUR AVE. • FRANKLIN PARK, IL. 60131  
 Ph: 1-800-9-VALVE-9 or 1-847-671-4300 • Fax: 1-800-447-8329 or 1-847-671-4380  
[www.sloanvalve.com](http://www.sloanvalve.com)