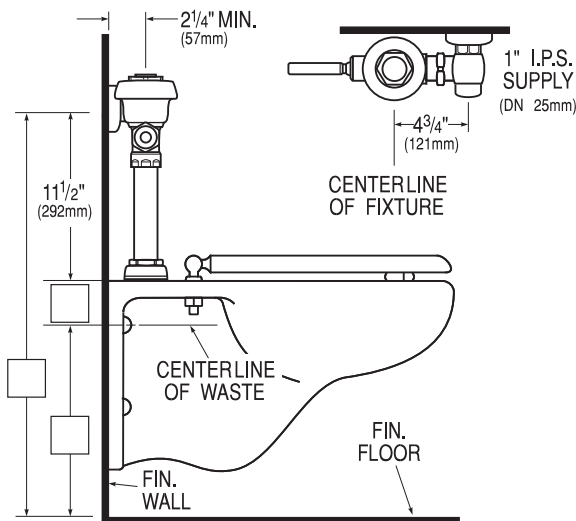


# UPPERCUT™

The Fastest Way to Start Saving Water!



## Dual Flush Flushometer

# WES-111

### Description

Exposed Water Closet Flushometer with Dual Flush Feature, for floor mounted or wall hung top spud bowls.

### Flush Cycle

WES-111 High Efficiency (Down 1.6 gpf/6.0 Lpf, Up 1.1 gpf/4.2 Lpf)

### Specifications

Dual Flush, Quiet, Exposed, Diaphragm Type, Chrome Plated Closet Flushometer with the following features:

- Lifting Handle UP initiates *reduced* flush (1.1 gpf/4.2 Lpf), eliminating liquid and paper waste, saving a ½-gallon of water
- Pushing Handle DOWN initiates *full* flush (1.6 gpf/6.0 Lpf), eliminating all waste
- Reduces water volume by up to 30% when activated UPWARDS
- Antimicrobial Coating on Handle protects against germs
- PERMEX™ Synthetic Rubber Diaphragm with Dual Filtered Fixed Bypass
- Distinctive Green ADA Compliant Metal Non-Hold-Open Handle with Triple Seal Handle Packing signifies Water Conserving Device
- 1" I.P.S. Screwdriver Bak-Chek™ Angle Stop
- Free Spinning Vandal Resistant Stop Cap
- Adjustable Tailpiece
- High Back Pressure Vacuum Breaker Flush Connection with One-piece Bottom Hex Coupling Nut
- Spud Coupling and Flange for 1½" Top Spud
- Sweat Solder Adapter with Cover Tube and Cast Set Screw Wall Flange
- High Copper, Low Zinc Brass Castings for Dezincification Resistance
- Non-Hold-Open Handle, Fixed Metering Bypass and No External Volume Adjustment to Ensure Water Conservation
- Flush Accuracy Controlled by CID™ Technology
- Diaphragm, Handle Packing, Stop Seat and Vacuum Breaker molded from PERMEX™ Rubber Compound for Chloramine Resistance
- Includes two (2) adhesive backed Metal Wall Plates etched with Instructions

Valve Body, Cover, Tailpiece and Control Stop shall be in conformance with ASTM Alloy Classification for Semi-Red Brass. Valve shall be in compliance to the applicable sections of ASSE 1037.

### Variations

- TP Trap Primer
- YG Extended Bumper on Angle Stop (for seat with cover)
- YO Bumper on Angle Stop (for open front seat without cover)

### Accessories

See Accessories Section of the Sloan catalog for details on these and other Flushometer variations.

### Fixtures

Consult Sloan for Sloan brand matching fixture options.



Patent Pending



This space for Architect/Engineer approval

The information contained in this document is subject to change without notice.

## SLOAN®

SLOAN VALVE COMPANY • 10500 SEYMOUR AVE. • FRANKLIN PARK, IL. 60131  
Ph: 1-800-9-VALVE-9 or 1-847-671-4300 • Fax: 1-800-447-8329 or 1-847-671-4380  
www.sloanvalve.com