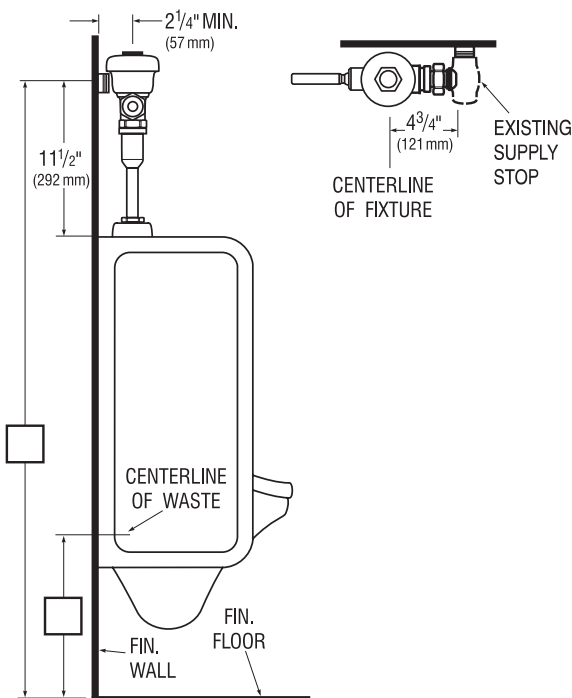
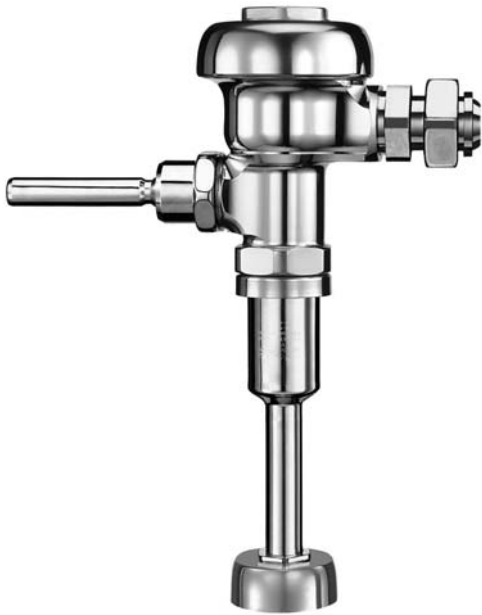


Sloan® Model Flushometer

188 XD



► Description

Exposed Urinal Flushometer with Adjustable Ground Joint Tailpiece, for 3/4" top spud urinals.

► Flush Cycle

- Model 188 XD Water Saver (1.5 gpf/5.7 Lpf)
- Model 188-1.0 XD Low Consumption (1.0 gpf/3.8 Lpf)
- Model 188-0.5 XD (0.5 gpf/1.9 Lpf)

► Variations

- DFB** Dual Filtered Fixed Bypass Diaphragm
- U** 1/4" Flush Connection and Spud Coupling

► Specifications

The Flushometer replaces existing valves that incorporate Ground Joint Tailpiece connections without having to replace the supply Control Stop.

Quiet, Exposed, Diaphragm Type, Chrome Plated Urinal Flushometer with the following features:

- High Chloramine Resistant PERMEX™ Synthetic Rubber Diaphragm with Linear Filtered Bypass and Vortex Cleansing Action™
- ADA Compliant Metal Oscillating Non-Hold-Open Handle with Triple Seal Handle Packing
- Adjustable Ground Joint Tailpiece (supply stop not included)
- Vacuum Breaker with Flush Connection
- Spud Coupling and Spud Flange for 3/4" Top Spud
- High Copper, Low Zinc Brass Castings for Dezincification Resistance
- Non-Hold-Open Handle and No External Volume Adjustment to Ensure Water Conservation
- Low Consumption flush accuracy
- Handle Packing, Stop Seat and Vacuum Breaker Molded from PERMEX™ Rubber Compound for Chloramine Resistance

Valve Body, Cover and Tailpiece shall be in conformance with ASTM Alloy Classification for Semi-Red Brass. Valve shall be in compliance to the applicable sections of ASSE 1037, ANSI/ASME A112.19.2 and Military Specification V-29193.

► Contractor-friendly Packaging

Installation time is reduced by packaging rough-in components and finishing components separately. In addition, all main valve components and subassemblies are factory assembled requiring less field assembly of the valve on the job site. Components are packaged as follows:

- Stops and Supply Kits, packaged separately — 6 per package
- Fully assembled Valve, packaged with complete Vacuum Breaker Assembly and Flange Kit — 2 per package

See Accessories Section of the Sloan catalog for details on these and other Flushometer variations.

This space for Architect/Engineer approval

The information contained in this document is subject to change without notice.

SLOAN®

Made in the U.S.A.

SLOAN VALVE COMPANY • 10500 SEYMOUR AVE. • FRANKLIN PARK, IL. 60131
Ph: 1-800-9-VALVE-9 or 1-847-671-4300 • Fax: 1-800-447-8329 or 1-847-671-4380

www.sloanvalve.com