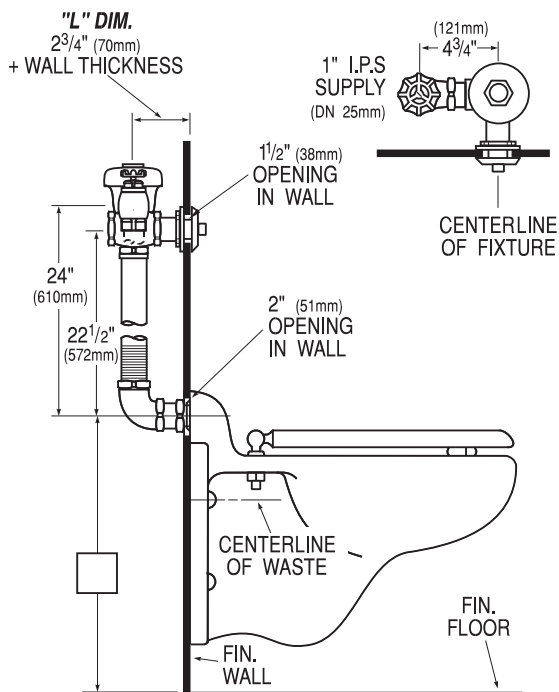


# Sloan® Model Flushometer

# 152



## ► Description

Concealed Water Closet Flushometer for wall hung back spud bowls.

## ► Flush Cycle

- Model 152-1.28 High Efficiency (1.28 gpf/4.8 Lpf)
- Model 152-1.6 Low Consumption (1.6 gpf/6.0 Lpf)
- Model 152 Water Saver (3.5 gpf/13.2 Lpf)

## ► Variations

- L-3** 3" Metal Oscillating Push Button
- TP** Trap Primer Elbow
- DFB** Dual Filtered Fixed Bypass Diaphragm
- YI** Two Wall Bumpers (for open front seat without cover)

## ► Specifications

Quiet, Concealed, Diaphragm Type, Rough Brass Closet Flushometer for either left or right hand supply with the following features:

- High Chloramine Resistant PERMEX™ Synthetic Rubber Diaphragm with Linear Filtered Bypass and Vortex Cleansing Action™
- Metal Non-Hold-Open Push Button
- 1" I.P.S. Wheel Handle Bak-Chek® Angle Stop
- Adjustable Tailpiece
- Vacuum Breaker
- Elbow Flush Connection and Spud Coupling for 1<sup>1</sup>/<sub>2</sub>" Concealed Back Spud
- Exposed Parts Chrome Plated
- Sweat Solder Adapter
- High Copper, Low Zinc Brass Castings for Dezincification Resistance
- Non-Hold-Open Push Button and No External Volume Adjustment to Ensure Water Conservation
- Low Consumption flush accuracy
- Handle Packing, Stop Seat and Vacuum Breaker Molded from PERMEX™ Rubber Compound for Chloramine Resistance
- 100% of the energy used in manufacturing is offset with Renewable Energy Sources – Wind Energy

Valve Body, Cover, Tailpiece and Control Stop shall be in conformance with ASTM Alloy Classification for Semi-Red Brass. Valve shall be in compliance to the applicable sections of ASSE 1037, ANSI/ASME A112.19.2 and Military Specification V-29193.

## ► L Dimension

Specify the "L" Dimension for the proper length of the Push Button Assembly and Flush Connection. The "L" Dimension is equal to the Wall Thickness (to the nearest whole inch) plus 2<sup>3</sup>/<sub>4</sub>" (70 mm).

## ► Accessories

See Accessories Section of the Sloan catalog for details on these and other Flushometer variations.

## ► Fixtures

Consult Sloan for Sloan brand matching fixture options.

This space for Architect/Engineer approval

Job Name _____	Date _____
Model Specified _____	Quantity _____
Variations Specified _____	
Customer/Wholesaler _____	
Contractor _____	
Architect _____	

The information contained in this document is subject to change without notice.

## SLOAN®

Made in the U.S.A.

SLOAN VALVE COMPANY • 10500 SEYMOUR AVE. • FRANKLIN PARK, IL. 60131  
Ph: 1-800-9-VALVE-9 or 1-847-671-4300 • Fax: 1-800-447-8329 or 1-847-671-4380  
www.sloanvalve.com