

DESCRIPTION

Complete vitreous china urinal.

Flush Cycle

Model SU-1016-1.0 (1.0 gpf/3.8 Lpf)

SPECIFICATIONS

Urinal

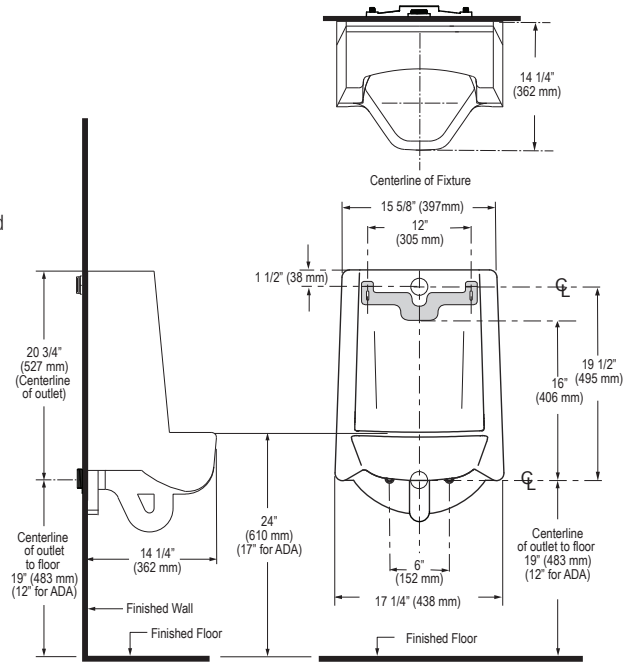
- Vitreous china
- Wall mounted
- Washdown flushing action
- 3/4" rear spud inlet
- 100% factory flush tested
- Integral flushing rim
- All mounting hardware included
- Carrier not included

Colors/Finishes

- White

Recommended Accessories

- Compatible with Jay R. Smith Carrier: 0636 & 0637



Product Specification

Washdown Urinal shall be made of vitreous china with a 3/4" rear spud. Urinal shall be wall mounted. Urinal shall include a removable strainer, inlet spud and hanger. Urinal shall use 1.0 gpf / 3.8 Lpf. Urinal shall be Sloan Model SU-1016-1.0.



Listed by I.A.P.M.O.

NOTE: Plumbing System Requirements
 ✓ Minimum **Flowing** Pressure: 25 PSI

This space for Architect/Engineer approval	
Job Name	Date
Model Specified	Quantity
Variations Specified	
Customer/Wholesaler	
Contractor	
Architect	

SLOAN®

Sloan Valve Company
 10500 Seymour Avenue,
 Franklin Park, IL 60131
 Phone: 1-800-9-VALVE-9 (982-5839)
 or 1-847-671-4300
 Fax: 1-800-447-8329 or 1-847-671-4380
 www.sloanvalve.com

Copyright © 2011 Sloan Valve Company
 10/11 Rev. 0a