

DESCRIPTION

Complete vitreous china urinal.

Flush Cycle

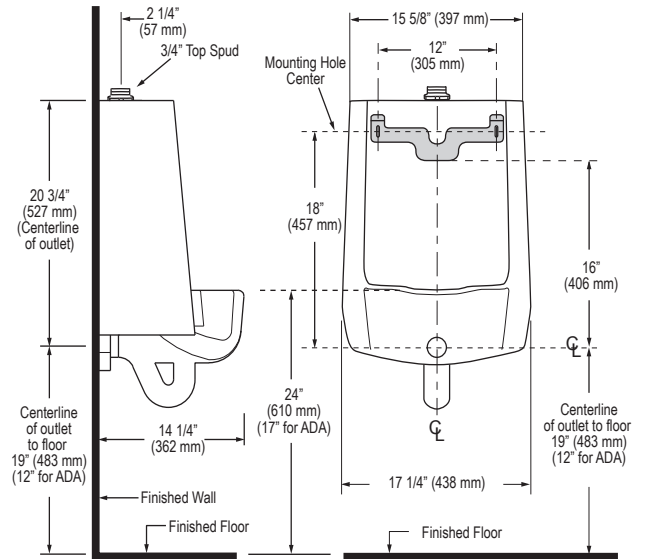
Model SU-1002-0.25 (0.25 gpf/0.9 Lpf)



SPECIFICATIONS

Urinal

- Wall hung top spud vitreous china
- Washdown flushing action
- 3/4" I.P.S. top spud inlet
- 2" NPT outlet flange
- All mounting hardware included
- Integral flushing rim
- 100 % factory flush tested
- Compliant to the applicable sections of ASME A112.19.2/CSA B45.1
- Carrier not included
- Compatible with:
Jay R. Smith Carrier 0636 or 0637



Product Specification

Washdown urinal shall be made of vitreous china with a 3/4" top spud. Urinal shall have a 14" rim. Urinal shall include a removable strainer, inlet spud and hanger. Urinal shall use 0.25 gpf / 0.9 Lpf. Urinal shall be Sloan Model SU-1002-0.25.

Meets the American Disabilities Guidelines and ANSI A117.1 requirements when installed at the proper height requirements for accessibility.



Listed by I.A.P.M.O.

NOTE: Plumbing System Requirements
√ Minimum **Flowing** Pressure: 25 PSI

This space for Architect/Engineer approval	
Job Name	Date
Model Specified	Quantity
Variations Specified	
Customer/Wholesaler	
Contractor	
Architect	

SLOAN

Sloan Valve Company
10500 Seymour Avenue
Franklin Park, IL 60131
Phone: 1-800-9-VALVE-9 (982-5839)
or 1-847-671-4300
Fax: 1-800-447-8329 or 1-847-671-4380
www.sloanvalve.com

Copyright © 2010 Sloan Valve Company
07/10 Rev. 0b