



Efficiency Series

Model

ST-2023-1.6

ADA Compliant Floor Mount Vitreous China Elongated Water Closet with Option for Bedpan Lugs

DESCRIPTION

Complete ADA compliant floor mount vitreous china elongated fixture with option for Bedpan Lugs.

Models

- Model ST-2023-1.6 (1.6 gpf/6.0 Lpf)
- Model ST-2023-BPL-1.6 (1.6 gpf/6.0 Lpf) (Bedpan Lugs)



SPECIFICATIONS

Fixture

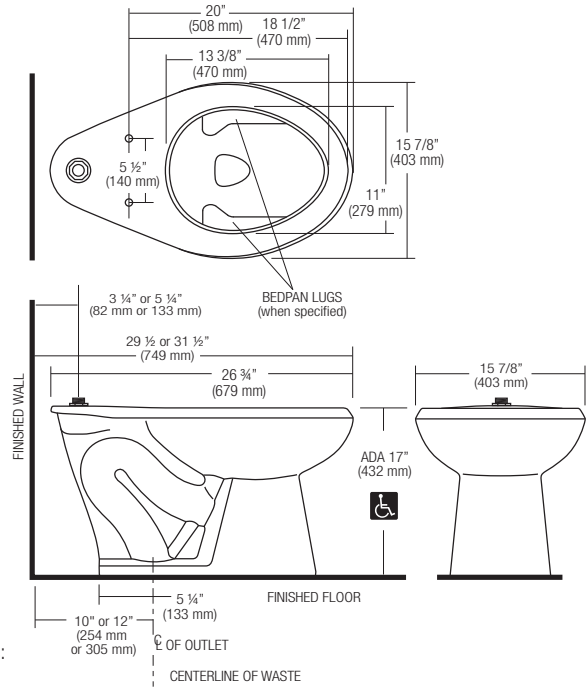
- Vitreous china
- Floor mounted
- ADA compliant
- Siphon jet flushing action
- 1.5" I.P.S. top spud inlet
- 2 1/8" trapway diameter
- Fully glazed trapway
- Toilet seat not included
- Integral flushing rim
- Elongated bowl
- Bedpan lugs (with specified model)
- Water spot area 9 1/2" x 7 3/8"
- Closet bolts and caps included
- Water closet compliant to the applicable sections of ASME A112.19.2/CSA B45.1

Colors/Finishes

- White

Recommended Accessories

- Compatible with toilet seat models: Olsonite 10CT, Bemis 1955 CT & Church Commercial 295CT



Product Specification

Elongated water closet shall be made of vitreous china with a 1.5" top spud. Bowl shall be ADA compliant. Water closet shall be floor mounted and elongated. Water closet shall have bedpan lugs (when ordered with BPL model). Water Closet shall use 1.6 gpf / 6.0 Lpf. Water Closet shall be Sloan Model ST-2023 ____-1.6.



Listed by I.A.P.M.O.

Meets the American Disabilities Guidelines and ANSI A117.1 requirements when installed according to these requirements.



NOTE: Plumbing System Requirements

- ✓ Minimum **Flowing** Pressure: 25 PSI
- ✓ Minimum Flow Rate: 18 GPM

This space for Architect/Engineer approval	
Job Name	Date
Model Specified	Quantity
Variations Specified	
Customer/Wholesaler	
Contractor	
Architect	

The information contained in this document is subject to change without notice.



SLOAN

Sloan Valve Company
 10500 Seymour Avenue
 Franklin Park, IL 60131
 Phone: 1-800-9-VALVE-9 (982-5839)
 or 1-847-671-4300
 Fax: 1-800-447-8329 or 1-847-671-4380
 www.sloanvalve.com

Copyright © 2011 Sloan Valve Company
 01/11 Rev. 0c