



Efficiency Series

Model

ST-2012-1.6/1.1

Vitreous China Rear Spud Dual Flush Water Closet

DESCRIPTION

Complete vitreous china rear spud dual flush water closet.

Flush Cycle

Model ST-2012-1.6/1.1 (1.6 gpf/6.0 Lpf/1.1 gpf/4.2 Lpf)



SPECIFICATIONS

Water Closet

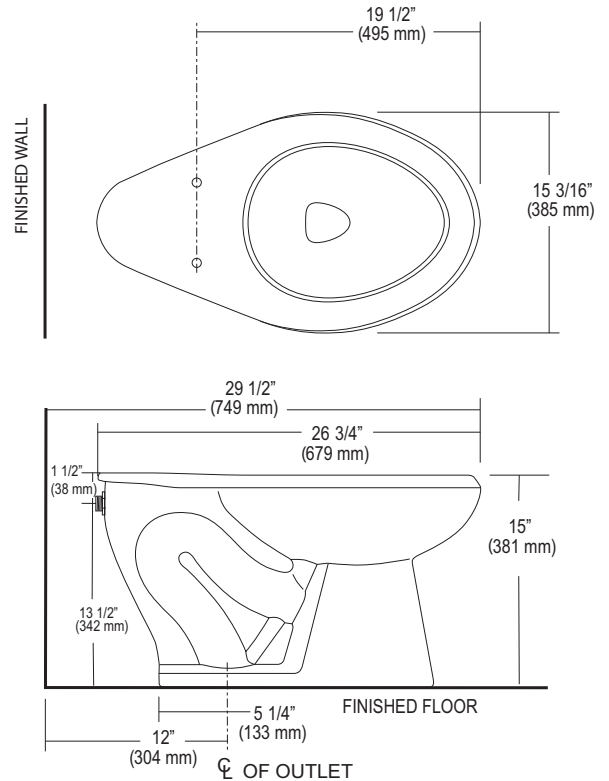
- Vitreous china
- Floor mounted
- Dual Flush
- Siphon jet flushing action
- 1.5" I.P.S. rear spud inlet
- 2" trapway diameter
- Fully glazed trapway
- Toilet seat not included
- Integral flushing rim
- Elongated bowl
- Water spot area 9 1/2" x 7 3/8"
- Closet bolts and caps included
- ASME A112.19.2/CSA B45.1

Colors/Finishes

- White

Recommended Accessories

- Compatible with toilet seat models:
- Olsonite 10CT
- Bemis 1955 CT
- Church Commercial 295CT



Product Specification

Elongated water closet shall be made of vitreous china with a 1.5" rear spud. Water Closet shall use 1.6 gpf/6.0 Lpf/ 1.1 gpf/4.2 Lpf dual flush. Water Closet shall be floor mounted. Water Closet shall be Sloan Model ST-2012-1.6/1.1 dual flush.

NOTE: Plumbing System Requirements

- √ Minimum **Flowing** Pressure: 25 PSI
- √ Minimum Flow Rate: 18 GPM

This space for Architect/Engineer approval	
Job Name	Date
Model Specified	Quantity
Variations Specified	
Customer/Wholesaler	
Contractor	
Architect	



Sloan Valve Company is buying renewable energy certificates to meet 100% of the company's purchased electricity use at its Franklin Park, Illinois facility.



Sloan Valve Company
 10500 Seymour Avenue,
 Franklin Park, IL 60131
 Phone: 1-800-9-VALVE-9 (982-5839)
 or 1-847-671-4300
 Fax: 1-800-447-8329 or 1-847-671-4380
 www.sloanvalve.com

Copyright © 2009 Sloan Valve Company
 08/09 Rev. 0