

DESCRIPTION

Complete HET Dual Flush Vitreous China fixture.

Flush Cycle

Model ST-2002 Dual Flush
 Full Flush 1.6 gpf/6.0 Lpf
 Reduced Flush 1.1 gpf/4.2 Lpf



SPECIFICATIONS

Fixture

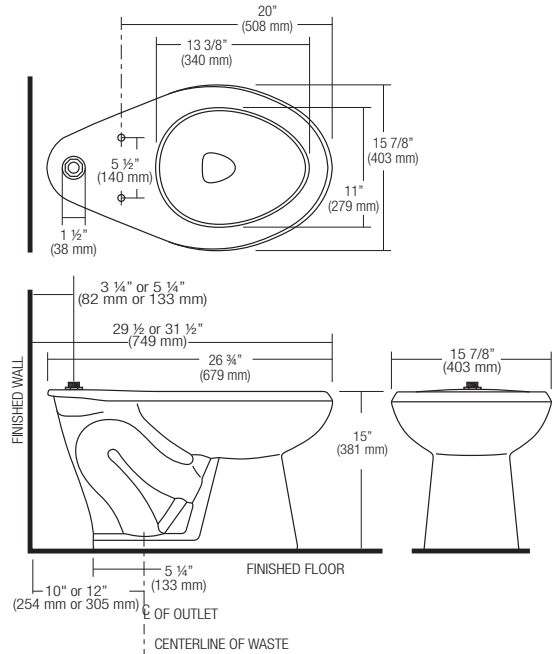
- Vitreous China
- Floor Mounted
- Siphon Jet Flushing Action
- 1 1/2" I.P.S. top spud inlet
- 2 1/8" trapway diameter
- Fully Glazed Trapway
- Toilet Seat Not Included
- Integral Flushing Rim
- Elongated Bowl
- Water Spot Area 10" x 7 1/2"
- Closet Bolts and Caps Included
- Water closet compliant to the applicable sections of ASME A112.19.2/CSA B45.1

Colors/Finishes

- White

Recommended Accessories

- Toilet seat not included
- Compatible with Toilet Seat models:
 Olsonite 10CT
 Bemis 1955 CT
 Church Commercial 295CT



Product Specification

Elongated water closet shall be made of vitreous china with a 1.5" top spud. Water Closet shall be a dual flush 1.6/1.1 gpf. Water Closet shall be Sloan Model ST-2002-1.6/1.1.



Listed by I.A.P.M.O.

NOTE:

- Plumbing System Requirements
- √ Minimum **Flowing** Pressure: 25 PSI
 - √ Minimum Flow Rate: 18 GPM

| This space for Architect/Engineer approval | |
|--|----------|
| Job Name | Date |
| Model Specified | Quantity |
| Variations Specified | |
| Customer/Wholesaler | |
| Contractor | |
| Architect | |



Sloan Valve Company is buying renewable energy certificates to meet 100% of the company's purchased electricity use at its Franklin Park, Illinois facility.

SLOAN®

Sloan Valve Company
 10500 Seymour Avenue,
 Franklin Park, IL 60131
 Phone: 1-800-9-VALVE-9 (982-5839)
 or 1-847-671-4300
 Fax: 1-800-447-8329 or 1-847-671-4380
 www.sloanvalve.com

Copyright © 2010 Sloan Valve Company
 10/10 Rev. 0c