

Regal® Model 112 XDT Flushometer

112 XDT 112-1.6 XDT



► Description

Exposed Water Closet Flushometer with Adjustable Tailpiece for Cambridge Brass Teck Supply Stop, for floor mounted or wall hung top spud bowls.

► Flush Cycle

- Model 112 XDT Water Saver (3.5 gpf/13.2 Lpf)
- Model 112-1.6 XDT Low Consumption (1.6 gpf/6.0 Lpf)

► Specifications

The Flushometer replaces existing Cambridge Brass Teck valves without having to replace the supply Control Stop.

Quiet, Exposed, Diaphragm Type, Chrome Plated Closet Flushometer with the following features:

- ADA Compliant Metal Oscillating Non-Hold-Open Handle
- Adjustable Tailpiece to match Teck Supply Stop (supply stop not included)
- Vacuum Breaker Flush Connection
- Spud Coupling and Flange for 1½" Top Spud
- High Copper, Low Zinc Brass Castings for Dezincification Resistance
- Non-Hold-Open Handle and No External Volume Adjustment to Ensure Water Conservation
- Low Consumption flush accuracy controlled by Para-Flo™ Technology
- Handle Packing, Stop Seat and Vacuum Breaker to be Molded from PERMEX™ Rubber Compound for Chloramine Resistance

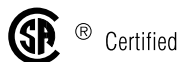
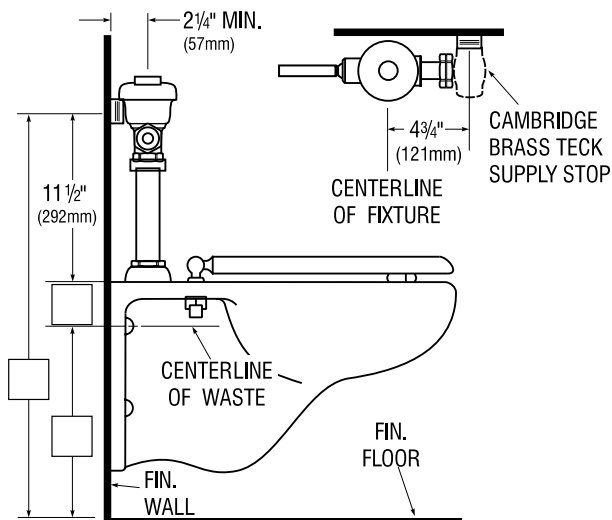
Valve Body, Cover and Tailpiece shall be in conformance with ASTM Alloy Classification for Semi-Red Brass. Valve shall be in compliance to the applicable sections of ASSE 1037, ANSI/ASME 112.19.6, and Military Specification V-29193.

► Variations

- U 1¼" Flush Connection and Spud Coupling

Retrofit Installations may require specialized Valve Rough-ins. Consult Sloan Valve Company Installation Engineering Department for assistance.

See Accessories Section of the Sloan catalog for details on these and other Flushometer variations.



This space for Architect/Engineer approval

The information contained in this document is subject to change without notice.

SLOAN®

Made in the U.S.A.
SLOAN VALVE COMPANY • 10500 SEYMOUR AVE. • FRANKLIN PARK, IL. 60131
Ph: 1-800-9-VALVE-9 or 1-847-671-4300 • Fax: 1-800-447-8329 or 1-847-671-4380
<http://www.sloanvalve.com>