

MIX-60-A

► **Description**

Below Deck Mechanical Water Mixing Valve for use with a single Sloan Optima[®] faucet.

► **Model**

□ Model MIX-60-A

Supplied with Sloan Optima and Optima Plus faucets that are specified with the "BDM" (Below-Deck-Mixer) variation.

► **Specifications**

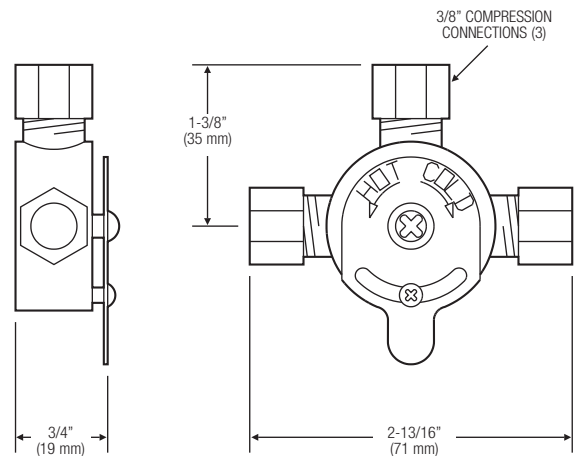
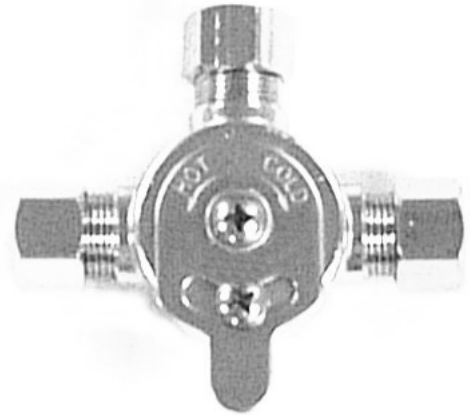
Mechanical Water Mixing Valve with the following features:

- Designed to install under the lavatory
- Installs in place of the Tee fitting supplied with the faucet prior to the solenoid valve
- Equipped with integral check valves at inlets
- 3/8" compression fittings on inlets and outlet
- Compression sleeves and nuts included
- Lever dial adjustment with lock screw: COLD-HOT
- Brass construction
- Chrome plated finish

► **Flow Capacities**

SYSTEM PRESSURE						
PSI	20	30	40	50	60	70
BAR	1.4	2.1	2.8	3.4	4.2	4.9
GPM	1.75	2.25	2.75	3.0	3.5	4.0
Lpm	6.62	8.51	10.40	11.35	13.25	15.14

CAUTION! This is a mechanical hot and cold mixing valve only! It **DOES NOT** provide automatic control of water temperature. Hot water in excess of 110°F (43°C) is dangerous and **CAN CAUSE SCALDING!**



This space for Architect/Engineer approval	
Job Name _____	Date _____
Model Specified _____	Quantity _____
Variations Specified _____	
Customer/Wholesaler _____	
Contractor _____	
Architect _____	