

**MICROPlumb®
PRODUCTS
Retrofit
Flushometer
Assemblies**

**MCR 197-A
MCR 198-A**



► **Description**

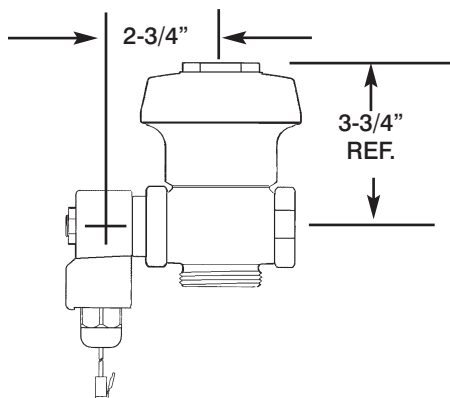
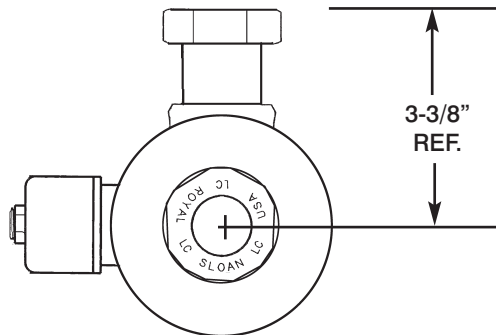
Concealed electronic operated water closet Flushometer for retrofit of manual, handle-operated Flushometer.

► **Model Number/Flush Cycle**

- Model 197-A Low Consumption (1.6 gpf/6.0 Lpf)
- Model 198-A Water Saver (3.5 gpf/13.2 Lpf)

► **Specifications**

- Concealed electronic operated, diaphragm type, rough brass closet Flushometer
- 24 VAC 50/60 Hz solenoid operator
- 15' cord w/RJ-11 connection
- Solenoid operator is reversible (can be located right or left of water supply)
- Dual filtered bypass diaphragm
- Permex® rubber diaphragm
- Adjustable tailpiece



This space for Architect/Engineer approval

The information contained in this document is subject to change without notice.



10500 Seymour Avenue • Franklin Park, Illinois 60131-1259
Phone 800-671-6970 • Fax 847-671-6944