

## PRO-8800-B PRO-8800-N

- ▶ **Description**  
In-the-wall Mounted, Electronic, Sensor Activated Flush Valve for Wash-down Water Closets and Squat Toilets.
- ▶ **Model**
  - PRO-8800-B Battery Powered
  - PRO-8800-N 6 VDC Transformer Powered
- ▶ **Finish**
  - CP** Polished Chrome
  - MCP** Matte Chrome (Satin)
- ▶ **Flush Discharge**
  - Factory set: 6 Lpf (1.6 gpf)  
Measured @ 100 kPa (15 psi) (1 Bar)  
Volume adjustable by changing cycle time, pressure or flow rate.
- ▶ **Specifications**  
In-Wall, 6 VDC, Sensor Activated Flush Valve with the following features:
  - Active Infrared Sensor
  - Latching Solenoid Operator
  - Fully enclosed Housing protects Valve and Electronics
  - Aesthetically contoured Two-piece Wall Plate with no visible fasteners
  - Courtesy Flush™ Override Button
  - Front Panel access for easy maintenance
  - Infrared Sensor Range Adjustment Screw
  - Filtered Solenoid Valve with serviceable Strainer Filter
  - Integral Adjustable Valve shut-off
  - 1" Inlet
  - 1¼" Outlet
  - Four (4) Size AA Batteries included
  - "Low Battery" Flashing LED
  - 24 Hour Sentinel Flush
  - 6 VDC Transformer for hardwire installation ("N" Model only)
- ▶ **Variations**
  - LK** Cam Lock and Key (to secure wall plate to frame)
- ▶ **Accessories**
  - 9133371** Gang Transformer Kit (100 - 240 VAC/6 VDC) (for up to six (6) units)



### **PRO-8800** In-wall Electronic Sensor Flush Valve for Wash-down Water Closets and Squat Toilets

- ▶ **Automatic**  
Sloan OPTIMA equipped Closets provide the ultimate in sanitary protection and automatic operation. There are no handles to trip or buttons to push. The Closet operates by means of an infrared sensor. Once the user enters the sensor's effective range and then steps away, the Solenoid initiates the flushing cycle to flush the fixture.
- ▶ **Hygienic**  
User makes no physical contact with the Valve surface except to initiate the Override Button when required. Helps control the spread of infectious diseases. Twenty-four Hour Sentinel Flush keeps fixture fresh during periods of nonuse.
- ▶ **Economical**  
Automatic operation provides water usage savings over other flushing devices. Reduces maintenance and operation costs.
- ▶ **Practical**  
Solid state electronic circuitry assures years of dependable, trouble-free operation.
- ▶ **Warranty**  
1 year (limited)

This space for Architect/Engineer approval	
Job Name _____	Date _____
Model Specified _____	Quantity _____
Variations Specified _____	
Customer/Wholesaler _____	
Contractor _____	
Architect _____	

# PRO-8800-B PRO-8800-N

## Description

In-the-wall Mounted, Electronic, Sensor Activated Flush Valve for Wash-down Water Closets and Squat Toilets.

## Model

- PRO-8800-B Battery Powered
- PRO-8800-N 6 VDC Transformer Powered

## OPERATING SPECIFICATIONS

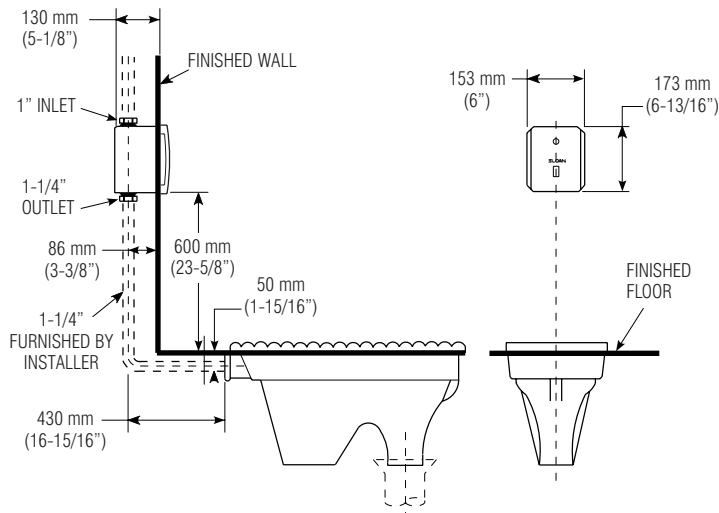
- ▶ **Control Circuit**  
6 VDC — operates on four (4) alkaline AA-size batteries.  
24 Hour Sentinel Flush
- ▶ **OPTIMA Sensor Type**  
Active Infrared
- ▶ **OPTIMA Sensor Range**  
Nominal 350 mm - 900 mm (13-3/4" - 35-7/16"), adjustable  $\pm$  254 mm (10")
- ▶ **Solenoid Valve**  
6 VDC with Integral Strainer Filter & 1" Straight Pipe Connection Inlet/1-1/4" Outlet.
- ▶ **Indicator Lights**  
Range Adjustment/Low Battery
- ▶ **Battery Life**  
2 years at 4,000 cycles/month
- ▶ **Transformer**  
220 VAC/6 VDC
- ▶ **Operating Pressure Range**  
100 - 700 kPa (15 - 100 psi) (1 - 7 Bar)
- ▶ **Flush Cycle**  
Factory set: ~9 seconds  
Adjustable: 0 - 15 seconds
- ▶ **Flush Discharge:**  
Factory set: 6 Lpf (1.6 gpf)  
Measured @ 100 kPa (15 psi) (1 Bar)  
Volume adjustable by changing cycle time, pressure or flow rate
- ▶ **Sentinel Flush**  
Automatic flush Once every 24 Hours after the last flush

## OPTIONS

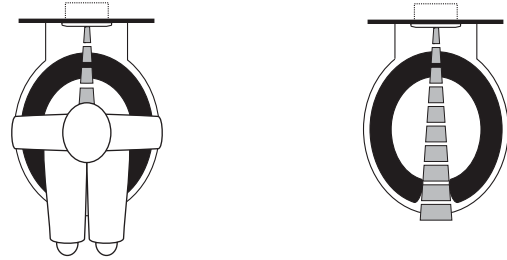


Cam Lock  
PRO-8800-LK

## ROUGH-IN



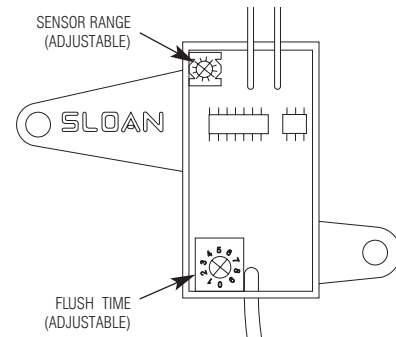
## OPERATION



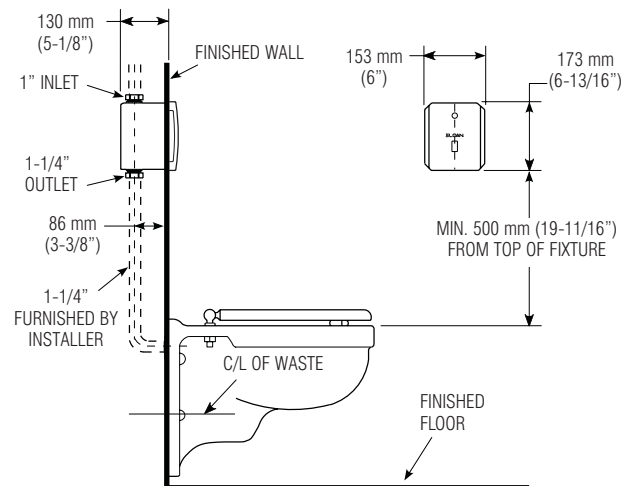
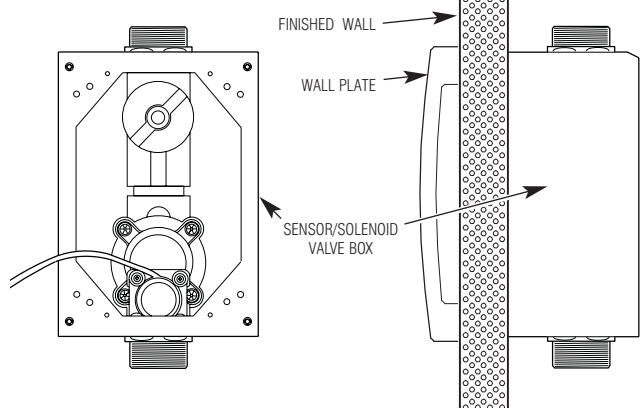
1. When a user enters the sensing range for 8 seconds, the flush valve automatically activates and prepares to flush (if less than 8 seconds, no effect).
2. When the user steps away, the flush valve automatically activates after 3 seconds.

## SETTING LOCATIONS

(Located on Back of Sensor)



## WALL BOX INSTALLATION



**SLOAN VALVE COMPANY • 10500 SEYMOUR AVENUE • FRANKLIN PARK, IL 60131**

Phone: 1-800-982-5839 or 1-847-671-4300 • Fax: 1-800-447-8329 or 1-847-671-4380 • [www.sloanvalve.com](http://www.sloanvalve.com)