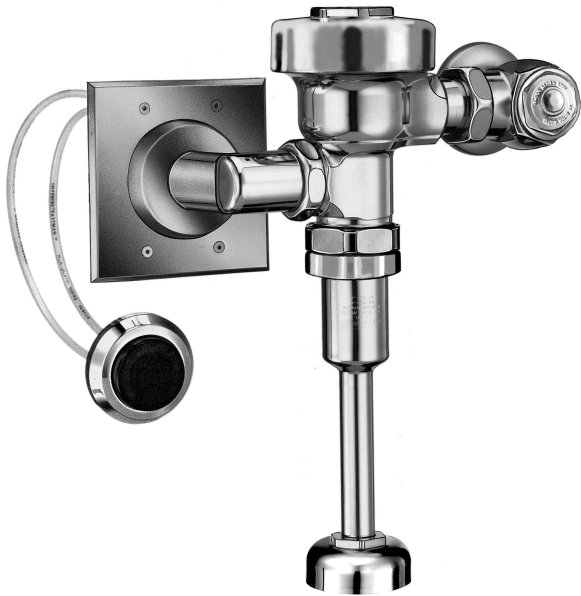


# Hydraulic Regal® 986 XL Model Flushometer



- ▶ **Models Available**
- Regal 986 XL

- ▶ **Description**
- Exposed Hydraulically Operated Urinal Flushometer for 3/4" top spud urinals.

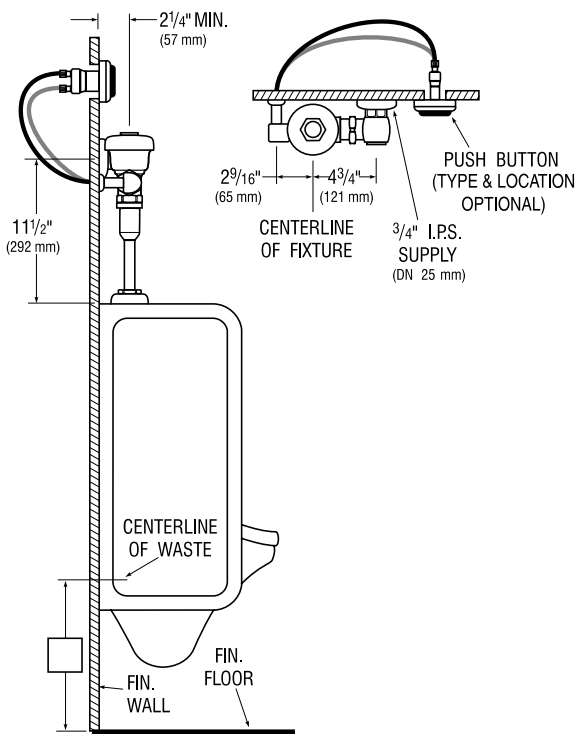
- ▶ **Flush Cycle**
- Model 986-1.0 Low Consumption (1.0 gpf/3.8 Lpf)

- ▶ **Specifications**
- Quiet, Exposed, Diaphragm Type, Chrome Plated Urinal Flushometer with the following features:
  - ADA Compliant Non-Hold-Open feature type Actuator (**specify Actuator type listed below**)
  - 3/4" I.P.S. Screwdriver Bak-Chek™ Angle Stop
  - Control Stop Plug
  - Adjustable Tailpiece
  - Vacuum Breaker Flush
  - Sweat Solder Adapter with Cover Tube
  - Spud Coupling and Flange for 3/4" Top Spud
  - High Copper, Low Zinc Brass Castings for Dezincification Resistance
  - Non-Hold-Open Handle, Fixed Metering Bypass and No External Volume Adjustment to Ensure Water Conservation.
  - Low Consumption flush accuracy controlled by Para-Flo™ Inside Parts Kit
  - Handle Packing, Stop Seat and Vacuum Breaker to be molded from PERMEX™ Rubber Compound for Chloramine Resistance.
- Valve Body, Cover, Tailpiece and Control Stop shall be in conformance with ASTM Alloy Classification for Semi-Red Brass. Valve shall be in compliance to the applicable sections of ASSE 1037.

- ▶ **Actuator Types:** (please check one)
- FW** Fixture Wall Actuator (HY-33-A) (rear access required)
- MP** Metal Partition Actuator (HY-49-A)
- SW** Side Wall Mounted Actuator (HY-72-A)
- MBFW** Metal Button Fixture Wall Actuator (HY-100-A) (rear access required)
- MBPM** Metal Button Panel Mount (HY-108-A)

- ▶ **Accessories**
- See Accessories Section of the Sloan catalog for available accessories

- ▶ **Fixtures**
- Consult Sloan for Sloan brand matching fixture options.



This space for Architect/Engineer approval

The information contained in this document is subject to change without notice.



SLOAN VALVE COMPANY • 10500 SEYMOUR AVE. • FRANKLIN PARK, IL. 60131  
Ph: 1-800-9-VALVE-9 or 1-847-671-4300 • Fax: 1-800-447-8329 or 1-847-671-4380  
<http://www.sloanvalve.com>