

Gem•2® Model Flushometer

112 XD



► **Description**
Exposed, Water Closet Flushometer with Adjustable Ground Joint Tailpiece for floor mounted or wall hung top spud bowls.

► **Flush Cycle**
 Model 112 XD Water Saver (3.5 gpf/13.2 Lpf)
 Model 112-1.6 XD Low Consumption (1.6 gpf/6.0 Lpf)

► **Specifications**
The Flushometer replaces existing valves that incorporate Ground Joint Tailpiece connections without having to replace the supply Control Stop. (Valve supplied without supply Control Stop)

Quiet, Exposed, Piston Type, Chrome Plated Closet Flushometer with the following features:

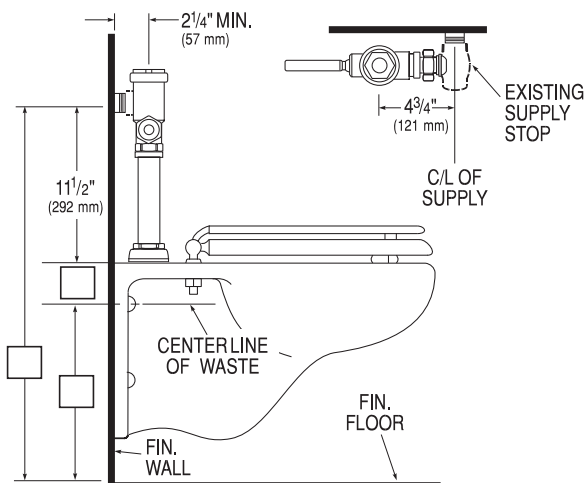
- Fixed Volume Piston with Filtered O-ring Bypass
- ADA Compliant Metal Oscillating Non-Hold-Open Handle
- Adjustable Ground Joint Tailpiece
- Vacuum Breaker Flush Connection
- Spud Coupling and Flange for 1½" Top Spud
- High Copper, Low Zinc Brass Castings for Dezincification Resistance
- Non-Hold-Open Handle and No External Volume Adjustment to Ensure Water Conservation
- Handle Packing and Vacuum Breaker Molded from PERMEX™ Rubber Compound for Chloramine Resistance

Valve Body, Cover and Tailpiece shall be in conformance with ASTM Alloy Classification for Semi-Red Brass. Valve shall be in compliance to the applicable sections of ASSE 1037, ANSI/ASME A112.19.2, and Military Specification V-29193.

- **Variations**
- U** 1¼" Flush Connection and Spud Coupling
 - YJ** Split Ring Pipe Support
 - YK** Solid Ring Pipe Support

- For Flushometer with Control Stop (includes Supply Flange) delete "XD" from the Model Number.
- Retrofit Installations may require specialized Valve Rough-ins. Consult Sloan Valve Company Installation Engineering Department for assistance.

See Accessories Section of the Sloan catalog for details on these and other Flushometer variations.



This space for Architect/Engineer approval

Job Name _____ Date _____

Model Specified _____ Quantity _____

Variations Specified _____

Customer/Wholesaler _____

Contractor _____

Architect _____

The information contained in this document is subject to change without notice.

SLOAN®



SLOAN VALVE COMPANY • 10500 SEYMOUR AVE. • FRANKLIN PARK, IL. 60131
 Ph: 1-800-9-VALVE-9 or 1-847-671-4300 • Fax: 1-800-447-8329 or 1-847-671-4380
 Made in the U.S.A. www.sloanvalve.com