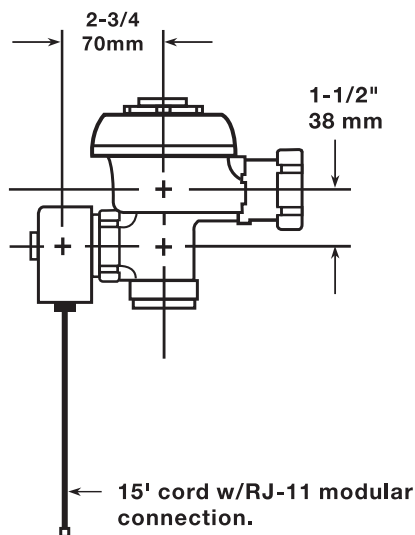


MICROPlumb® PRODUCTS EL3AACMOD Electronic EL3AALCMOD Retrofit Flushometer Body



- ▶ **Description**
Concealed electronic operated water closet flushometer body, for retrofit of handle operated flushometer.
- ▶ **Flush Cycle**
 - Model EL3AACMOD Water Saver (3.5 gpf/13.2 Lpf)
 - Model EL3AALCMOD Low Consumption (1.6 gpf/6.0 Lpf)
- ▶ **Specifications**
 - Concealed, electronic operated, diaphragm type, rough brass, closet flushometer
 - 24 VAC 50/60 Hz solenoid operator
 - 15' cord w/ RJ-11 connection
 - Dual filtered bypass diaphragm
 - Permex™ rubber diaphragm.
 - Adjustable tailpiece
- ▶ **Variation**
 - AG Ground-joint tailpiece (to retrofit Delany and Sloan ground-joint stops)



This space for Architect/Engineer approval

The information contained in this document is subject to change without notice.



10500 Seymour Avenue • Franklin Park, Illinois, 60131-1259
Phone 800-671-6970 • Fax 847-671-6944