



Dolphin® Bedpan Washer Model BPW-1000 Flushometer

BPW-1000
BPW-1000-1.6

Description

Exposed, Water Closet Flushometer with Bedpan Washer, for floor mounted or wall hung 1½" top spud bowls. Specifically engineered for salt water and severe water conditions.

Flush Cycle

Model BPW-1000 (factory set at 3.5 gpf/13.2 Lpf)

Model BPW-1000-1.6 (factory set at 1.6 gpf/6.0 Lpf)

Valve Adjustment Range: 0.5 gpf/1.9 Lpf to 16.0 gpf/60.6 Lpf

Factory settings made at 40 psi (275 kPa) — flush volume will vary with pressure and flow rate.

Specifications

Quiet, Exposed, Chrome Plated Closet Flushometer with the following features:

- Metal Lever Handle
- 1" I.P.S. Screwdriver Bak-Chek™ Angle Stop
- Vandal Resistant Stop Cap
- Adjustable Tailpiece
- Vacuum Breaker Flush Connection
- Spud Coupling, Wall and Spud Flanges for 1½" Top Spud
- Flushometer does not require water pressure to positively shut off
- High Copper, Low Zinc Brass Castings for Dezincification Resistance
- No External Volume Adjustment

Bedpan Washer Diverter Assembly with the following features:

- Solid One-piece Body Construction
- Solid Brass Spray Arm
- Counter Balanced Pivot Assembly
- Diverter Valve Wall Support

Valve Body, Cover, Tailpiece and Control Stop shall be in conformance with ASTM Alloy Classification for Semi-Red Brass. Valve shall be in compliance to the applicable sections of ASSE 1037, ANSI/ASME A112.19.2.

Variations

GJ Ground Joint Stop

YB Sweat Solder Adapter Kit

YBYC Sweat Solder Adapter & Cast Set Screw Wall Flange

O Offset Vacuum Breaker Specify: 1", 1½", 2"

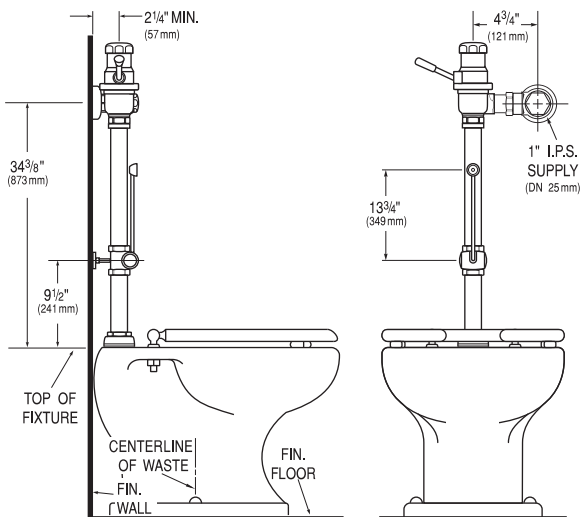
YI Two Wall Bumpers (for open front seat without cover)

NOTES:

- Ground Joint Stop (GJ) recommended for salt water applications.
- Vacuum Breaker may not be required in certain non-potable water applications (specify XYV Variation).



Sloan Valve Company is buying renewable energy certificates to meet 100% of the company's purchased electricity use at its Franklin Park, Illinois facility.



This space for Architect/Engineer approval

The information contained in this document is subject to change without notice.

SLOAN

Made in the U.S.A.
SLOAN • 10500 SEYMOUR AVE. • FRANKLIN PARK, IL. 60131 Phone: 1-800-9-VALVE-9 or 1-847-671-4300 • Fax: 1-800-447-8329 or 1-847-671-4380
<http://www.sloanvalve.com>