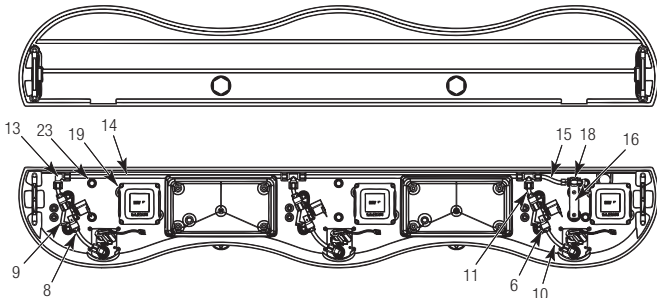
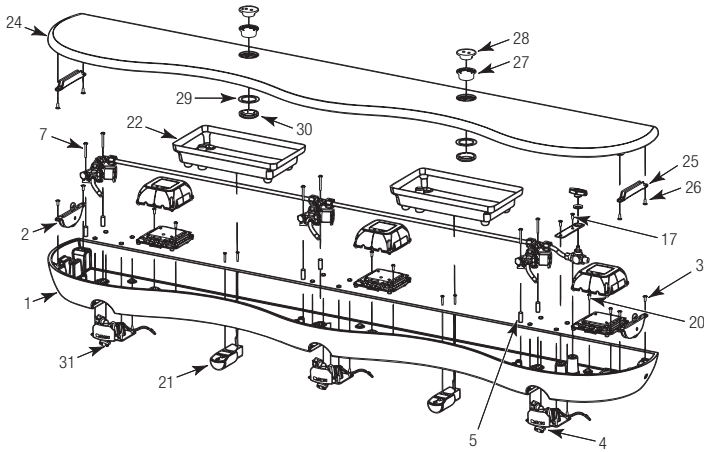


SloanStone® EW-73000



TRIPLE STATION SENSOR ACTIVATED SOLID SURFACE LAVATORY SYSTEM PARTS



Item			
No.	Code No.	Part No.	Description
1.	—	EW-56	Electronics Enclosure 3 Station Machined
2.	—	EW-41	Large Latch (2)
3.	—	EW-27	Screw, Flat Head #10-24 x 1/2" Long (4)
4.	—	EW-75-A	Sensor Plate Assembly (3)
5.	—	EW-8	Spacer, #8 x 1" Long (6)
6.	—	EW-13	Mounting Clamp for ETF-370-A Solenoid (6)
7.	0387012	EW-9	Screw, Truss Head #8-32 x 1-1/2" Long (6)
8.	0365249	ETF-61	Male Connector (6)
9.	0305849PK	ETF-370-A	Solenoid Valve Assembly (3)
10.	—	EW-89	Tube, 3/8" x 3-5/8"
11.	—	EW-89	Tube, 3/8" x 1-7/8"
12.	—	EW-19	Compression Tee Fitting 3/8" Tube (2)
13.	—	EW-18	Compression Elbow Fitting, 3/8" Tube
14.	—	EW-89	Tube, 3/8" x 25-1/4"
15.	—	EW-89	Tube, 3/8" x 3-7/8"
16.	—	EW-5	Mounting Bracket for Shut-off Valve
17.	—	EW-36	Screw, Pan Head #8-32 x 7/16" Long (SEMS) (2)
18.	—	EW-74	Panel Mount Ball Valve - 3/8" Compression Fitting
19.	—	ETF-450-A	Splash Proof Junction Box Assembly (3)
20.	—	EW-28	Screw, Round Head #8-32 x 1/2" Long (6)
21.	†	ESD-255-A	Manual Soap Pump Assembly (2)
22.	†	ESD-245-A	Manual Soap Reservoir Assembly (2)
23.	—	EW-37	Screw, Truss Head 1/4-20 x 1-1/2" (6) (not shown)
	—	EW-26	Tube Support 3/8" (7) (not shown)
	0326045PK	MIX-135-A	Thermostatic Mixing Valve (Below Deck) (not shown)
	—	EW-92-A	Wiring Harness, 3 Station (not shown)
	0365534PK	ETF-233	Transformer Plug Type 120V/35VA (not shown)
	0365736	ETF-731	Vandal Proof Key, Standard and Junior (not shown)
	—	EW-97	Flexible Supply Hose, 3 Station (not shown)
	0387096	EW-96	T-Handle Hex Wrench, 7/32"
24.	—	EW-58-X	Cover, Electronics Enclosure, 3 Station Machined
25.	—	EW-42	Large Encased Receiver (2)
26.	—	EW-27	Screw, Flat Head #10-24 x 1/2" Long (4)
27.	‡	ESD-242	Sleeve for Fill Cap
28.	‡	ESD-241	Fill Cap for Soap Reservoir (2)
29.	‡	EW-11	Gasket for Fill Cap Sleeve (2)
30.	‡	ESD-243	Jam Nut for Fill Cap Sleeve (2)
	‡	0346061	Fill Cap Spanner (not shown)
32.	3365757	ETF-1037-A	Spray Head CP 0.5 gpm-VP Junior Size Male Thread with Key

† Included on models with Soap Dispenser.

‡ Included on models with Fill Cap.

— Consult factory for replacement part.

SloanStone® EW-73000

CABINET AND BASIN ASSEMBLY PARTS

Item No.	Code No.	Part No.	Description
1.	—	EW-30-A	Cabinet Weldment, 3 Station
2.	—	EW-50	Front Panel Support – Machined
3.	—	EW-36	Screw, Pan Head #8-32 x 7/16" Long (SEMS) (2)
4.	0387099	EW-99	U-Type Nut Standard 1/4-20 Thread (8)
5.	—	EW-60	End Cap Right – Machined
6.	—	EW-52	End Cap Left – Machined
7.	—	EW-16	Screw, Pan Head 1/4-20 x 1" Long (SEMS) (4)

Item No.	Code No.	Part No.	Description
8.	—	EW-15	Screw, Pan Head 1/4-20 x 1/2" Long (SEMS) (2)
9.	—	EW-35	Front Panel, 3 Station (2)
10.	—	EW-54	Triple Station Lavatory Basin Assembly
11.	—	ETF-725-A	Grid Strainer Assembly (2)
12.	—	EW-15	Screw, Pan Head 1/4-20 x 1/2" Long (SEMS) (8)
13.	—	EW-61	Overflow Cover Plate (2)
—	—	EW-98	Light Duty Buffing Pad (not shown)

— Consult factory for replacement part.

