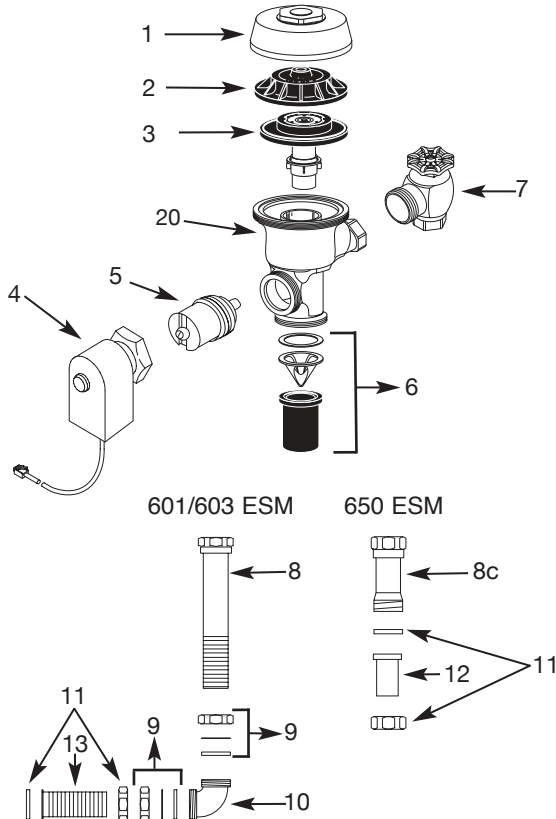




601/603/650-ESM Maintenance Guide

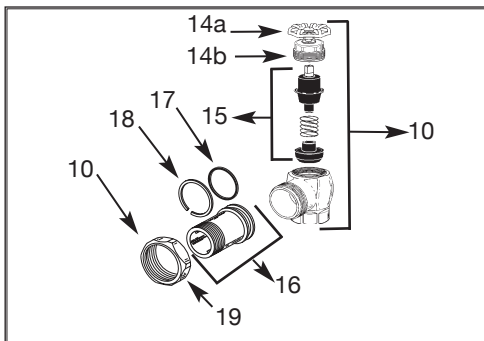


Parts List

Item	Code	Part	Description
1.	0301155	A-72-LC	Rough Brass Outside Cover
2.	0301168	A-71	Plastic Inside Cover
3.	‡		Dual Filtered Diaphragm Assembly
4.	3375015	MCR-1001	24 VAC Solenoid Assembly w/Modular Plug
5.	3305043	EL-128-A	Actuator Cartridge Assembly (Includes Spring, Plunger Guide, Solenoid Valve Seat, Valve Piston Assembly, and O-Ring)
6.	3323182	V-651-A	Vacuum Breaker Repair Kit
7.	3308855	H-541-A	1" (25 mm) Concealed WH Bak-Chek® Angle Stop
8a.	0323142	V-500-AA	603 Vacuum Breaker Assembly (1 1/2" x 17 1/2" w 3" Score)
8b.	0323142	V-500-AA	601 Vacuum Breaker (1 1/2" x 13 1/2" w/ 10 1/2" Score)
8c.	0323011	V-500-AA	650 Vacuum Breaker (1 1/2" x 3")
9.	0306619	F-2-AA	1 1/2" Coupling Slip Joint (Quantity 2)
10.	0206146	F-21	1 1/2" Double Slip Elbow
11.	0306091	F-2-A	1 1/2" Coupling w/ S-21 Gasket
12.	0306569	F-22	650 Outlet Tube 1 1/2" x 2"
13.	0396156	F-100	603-ESM-1.6 Outlet Tube 3 1/4" w/ 3" Score
14a.	3308872	H-1011-A	603 CH ESM Outlet Tube 9 1/2" w/ 3" Score
14b.	0208083	H-623	Repair Kit (for Concealed WH only; does not include bonnet)
15.	3308853	H-1006-A	Bonnet
16.	0308802	H-551-A	Repair Kit for 1" (25 mm) Stops with Concealed WH for use with 1" (25 mm) H-700, H-600, and H-540 WH Series Stops
17.	5308696	H-553	Rough Brass Adjustable Tailpiece (2-1/16"/52 mm long)
18.	5308381	H-552	O-Ring (package of 24)
19.	0308694	H-550	Locking Ring (package of 12)
20.	‡ ‡		Rough Brass Adjustable Coupling
			Valve Body Assembly (code & part number varies with model. Contact factory for assistance).

NOTE: Each item is identified by a Part Number and a Code Number. Expedite processing by using our Code Number. Parts shown service all Sloan diaphragm-type Flushometers manufactured after 1964, including Low Consumption (LC) models. ‡ Code and Part No. varies on flush volumes. See the chart below.

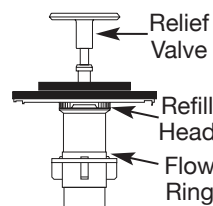
Control Stop and Tailpiece



Many PWT MicroPlumb® optional push button controllers and extension cord kits are available in different lengths—contact our Customer Service for information and code numbers. If you have any questions about installation, maintenance, or troubleshooting issues, please visit our website at: www.sloanvalve.com or call our Installation Engineering department at 1-888-SLOAN-14.

Diaphragm Assemblies

A-1038-A	A-1041-A	A-1044-A
3.5 gpf/13.2 Lpf	1.6 gpf/6.0 Lpf	2.4 gpf/9.0 Lpf
White Relief Valve	Green Relief Valve	Blue Relief Valve



To identify the flush volume of a dual filtered diaphragm assembly, look at the color of the relief valve, refill head and the shape of the flow ring.
NOTE: In January 1998, the Royal Diaphragm design was upgraded to a preassembled unit with two (2) plastic filtering rings attached to the rubber diaphragm (one on top and one on bottom). If the Flushometer you are servicing has our older, segmented diaphragm with brass bypass hole please consult factory for assistance.

Troubleshooting Guide

The following information pertains to troubleshooting the PWT System Components. Please refer to the following PWT Software Guide for troubleshooting any software or communication problems. Be advised that all PWT Communicating Controls are designed to work independently from the Computer System. Should the computer, any passive coupler or router fail, there will be no effect on the performance of any cell. The only effect will be to the communication from the computer to the individual control.

1. PROBLEM: Flushometer does not function (but associated input and output LEDs illuminate)

CAUSE:

- (A) Control stop or main valve is closed.
- (B) EL-128-A Valve Actuator Cartridge worn.
- (C) Relief Valve on A-41-A Diaphragm Assembly is worn.
- (D) Solenoid coil burned out.

SOLUTION:

- (A) Open control stop and/or main valve.
- (B) Replace EL-128-A Valve Actuator Cartridge.
- (C) Replace entire A-41-A Diaphragm Kit.
- (D) Replace EL-297-A Solenoid.

2. PROBLEM: Flushometer runs continuously

CAUSE:

- (A) Diaphragm bypass hole clogged.
- (B) Spring worn inside EL-128-A Valve Actuator Assembly worn or broken.
- (C) Relief Valve on Diaphragm Kit not seating properly.

SOLUTION:

- (A) If clogged, remove debris by blowing into bypass hole and/or wash under running water.
- (B) Replace EL-128-A Valve Actuator Assembly.
- (C) Look for debris on Diaphragm Relief Valve seat. Clean or replace as necessary.

3. PROBLEM: Flushometer does not function (associated input LED does not illuminate)

CAUSE:

- (A) Push-button spring worn.
- (B) Reed Switch on push-button assembly worn.

SOLUTION:

- (A) Replace push-button spring.
- (B) Replace MCR-18 Reed Switch.

4. PROBLEM: Flushometer does not function (input LED illuminates but output LED does not illuminate)

CAUSE:

- (A) Control Board problem.

SOLUTION:

- (A) Replace Controller.

5. PROBLEM: Flushometer does not function (no LEDs illuminate)

CAUSE:

- (A) No power to control board.
- (B) F1 fuse on control board blown.

SOLUTION:

- (A) Press service pin on control board. If power indicator LED illuminates, you have power coming into board. If LED does not illuminate, check 24VAC from transformer. Replace transformer if necessary. If power is coming from transformer, turn off power to the control board and check fuse F1. Replace F1 as necessary.
- (B) Turn off power to the control board and replace F1 fuse.

6. PROBLEM: Length of flush is too long (long flushing) or valve fails to shut off.

CAUSE: Water Saver valve is installed on Low Consumption fixture.

SOLUTION: Replace Diaphragm component parts of valve with kit that corresponds to appropriate flush volume of fixture.

CAUSE: Relief valve in diaphragm is not seated properly or bypass hole in diaphragm is clogged.

SOLUTION: Disassemble inside Diaphragm component parts and wash parts thoroughly. Replace worn parts if necessary.

Care and Cleaning of Chrome and Special Finishes

DO NOT use abrasive or chemical cleaners (including chlorine bleach) to clean Faucets that may dull the luster and attack the chrome or special decorative finishes. Use **ONLY** mild soap and water, then wipe dry with clean cloth or towel.

While cleaning the bathroom tile, protect the Faucet from any splattering of cleaner. Acids and cleaning fluids will discolor or remove chrome plating.

Installation Assistance

When assistance is required, please contact Sloan Valve Company Installation Engineering Department at:

1-888-SLOAN-14 (1-888-756-2614) OR 1-847-233-2016

LIMITED WARRANTY

Sloan Valve Company warrants its PWT Products to be made of first class materials, free from defects of material or workmanship under normal use and to perform the service for which they are intended in a thoroughly reliable and efficient manner when properly installed and serviced, for a period of three years (30 days on software/1 year on electronics) from date of purchase. During this period, Sloan Valve Company will, at its option, repair or replace any part or parts which prove to be thus defective if returned to Sloan Valve Company, at customer's cost, and this shall be the sole remedy available under this warranty. No claims will be allowed for labor, transportation or other incidental costs. This warranty extends only to persons or organizations who purchase Sloan Valve Company's products directly from Sloan Valve Company for purpose of resale. This warranty does not cover the life of the batteries.

THERE ARE NO WARRANTIES WHICH EXTEND BEYOND THE DESCRIPTION ON THE FACE HEREOF. IN NO EVENT IS SLOAN VALVE COMPANY RESPONSIBLE FOR ANY CONSEQUENTIAL DAMAGES OF ANY MEASURE WHATSOEVER.