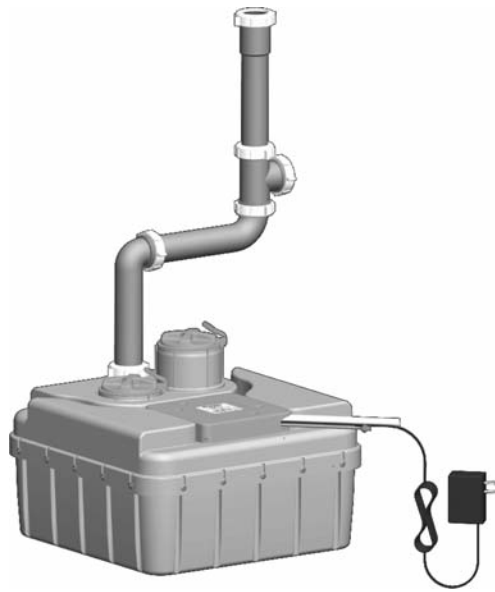


Sloan® AQUUS® HMA-7000

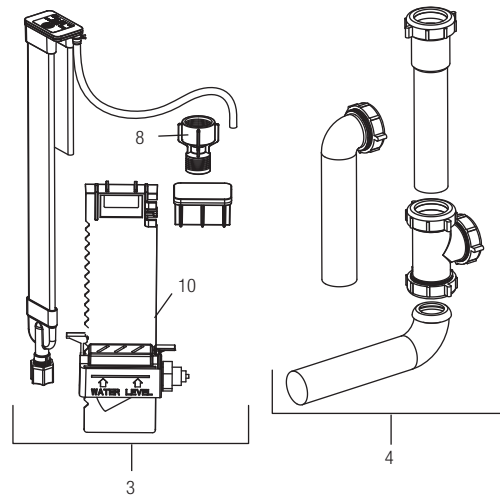
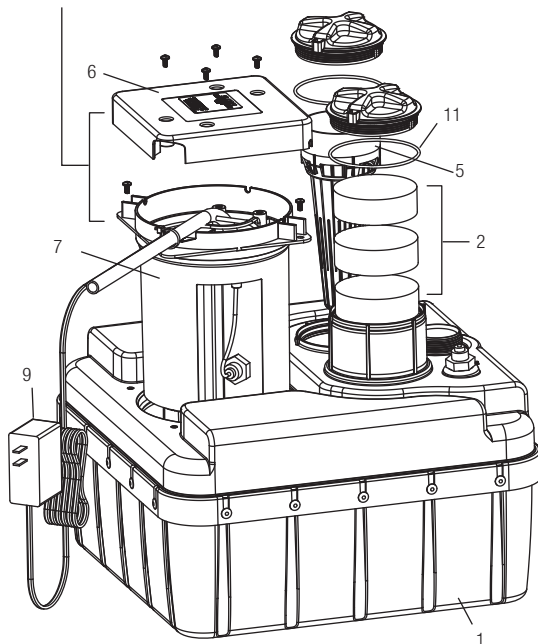


PARTS LIST—SLOAN® AQUUS®

Item No.	Code No.	Part No.	Description
1.	—	HMA-1-A	Collection Tank Assembly. Tank Assembly, 2 Access Caps, Basket Screen, 12 VDC Power Adapter, O-Rings, ½" Polyethylene Tube (12 feet), Pump Cartridge Assembly, Tank Pad, Pan Head Screw
—	—	HMA-1-A-EU	Collection Tank Assembly (Europe). Tank Assembly, 2 Access Caps, Basket Screen, 12 VDC Power Adapter (Europe), O-Rings, ½" Polyethylene Tube (12 feet), Pump Cartridge Assembly (Europe), Tank Pad, Pan Head Screw
—	—	HMA-1-A-UK	Collection Tank Assembly. (United Kingdom) Tank Assembly, 2 Access Caps, Basket Screen, 12 VDC Power Adapter (United Kingdom), O-Rings, ½" Polyethylene Tube (12 feet), Pump Cartridge Assembly (United Kingdom), Tank Pad, Pan Head Screw
2.	—	—	Three (3) 3" Toilet Bowl Cleaner Tablets with Bleach (Purchased Separately)
3.	—	HMA-60-A	Toilet Tank Installation Kit. Water Inlet Assembly (Tube Fitting Attached), Level Sensor Assembly, Lid Support, Flow Restrictor
4.	—	HMA-55-A	Drain Installation Starter Kit. Baffle Tee PVC, 2 L-Bend PVC Pipes, Straight PVC, 1½" Slip Joint Washer, 1½" Slip Nut (US)
—	—	—	Optional Wall Molding (Not sold by Sloan Valve. Can be found at your local hardware store)
5.	—	—	Filter Basket
6.	—	—	Cartridge Cover
7.	—	—	Cartridge Assembly
8.	—	—	Fill Valve Adapter with Flow Restrictor
9.	—	—	12 Volt DC Power Supply
10.	—	—	Level Sensor Assembly
11.	—	—	Cap O-ring

— Consult factory for replacement part.

NOTE: Cartridge Assembly can be rotated 90 degrees to adapt to the installation by removing the 4 screws holding the Cartridge Cover. Disconnect the Tank Cover level sensor wires from circuit board (remember what terminal the wires came from, you will need to reconnect them). Remove the Cartridge Assembly by removing the four (4) screws on the sides. Reposition the housing as needed and reassemble. Route the Level Sensor Wires through the slots in the Cartridge and Cover.



Sloan® AQUUS® HMA-7000

TROUBLESHOOTING GUIDE

1. Connections inside vanity will not fit.

- A. Wall drain is either not 18" off finished floor and/ or wall drain is not 12" off wall cabinet shelf.
- B. If wall drain is too low, either cut opening in vanity floor to recess reservoir or use shallow P-Trap or alternative PVC parts.
- C. If wall drain is too high, shim the tank higher.

2. Pump is noisy.

Under normal operation, the sound is no louder than an icemaker or electric shaver.

To check if pump is failing, turn water on in sink for 2-3 minutes. Flush toilet. Has noise level reduced?

YES Continue normal operations.

NO Possible pump failure.

3. Pump runs too long, too short or intermittently.

This indicates a circuit board timer failure. Call for service. Contact information found on front of guide.

4. Toilet bowl water is discolored or contains bubbles.

Colored liquids, such as coffee or cola, poured down sink will transfer to bowl. To clear, rinse water down drain and flush toilet. Don't pour anything down drain except water. Heavy usage of hand soaps/detergents can result in bubbles. Flush a few times to dilute soaps.

5. Reused water is not filling tank.

- A. If system is unplugged, replug into wall outlet.
- B. If switch on has failed, call for service.
- C. If pump isn't running; flush toilet several times to allow pump to prime, or call for service.
- D. If hose is clogged, call for service.

DO NOT pour drain unclogging products down sink. These products may damage system.

6. Toilet will not flush.

Fresh water supply is off. Turn on supply.

7. Toilet tank is slow to refill.

Pump is intended to provide effective reused water supply at a distance of less than 25 feet with a 4-foot head pressure. As distance exceeds 15 feet, fill takes longer.

8. Water is backing up into the sink.

There's a clog in P-trap or waste line downstream from vanity tank.

DO NOT pour unclogging products down drain. These products may damage system. Call plumber to clear obstruction.

9. There's an unpleasant odor.

Chlorine tablets have dissolved and reservoir has grown odor-causing bacteria.

- A. Turn water on in sink and pour a capful of chlorine bleach down drain to shock odor.
- B. Replace tablets.

ANNUAL MAINTENANCE REQUIREMENTS

Replace Cleansing Tablets

Replace the cleansing tablets annually. Remove tablet dispenser cap, insert three (3) 3" toilet bowl cleaner tablets with bleach and resecure the dispenser cap.

CLEAN FILTER SCREEN

The filter basket should be removed, rinsed and reinstalled annually. The basket is secured in place under the lower cap. Remove the filter access cap and pull the basket straight up from the Collection Tank. After the screen has been rinsed of any residue. Replace cap and secure.

When assistance is required, please contact

Sloan Technical Support at: 1-888-SLOAN-14 (1-888-756-2614).