

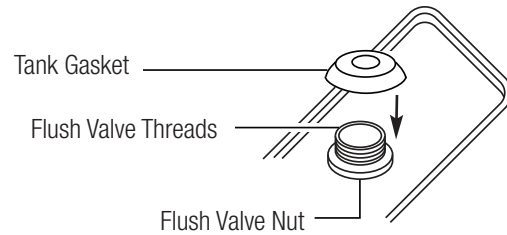
## THE RIGHT CHOICE

We thank you for your purchase. Our products are 100% tested but should you have any questions, please contact us by phone or visit our website.



### 1. INSTALL TOILET TANK TO BOWL

Turn the tank upside down and rest on protective padding. Install the tank gasket over the bottom threads of the flush valve, making sure that the tank gasket covers the flush valve nut and the tapered side is toward the bowl.

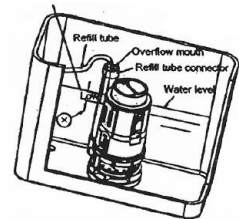


Lift the tank, right side up and position the tank on the bowl by centering the gasket and aligning holes on the bowl. Install tank bolts with included rubber washers tapered side down, through tank mounting spacers and bowl. Secure with metal washers and nuts (see illustration). Tighten bolts alternately enough to achieve a watertight seal. **DO NOT OVERTIGHTEN.**

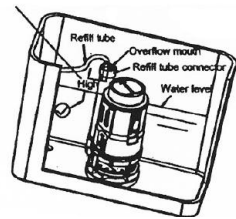


### 2. INSTALL REFILL TUBE

Incorrect if lower than water level.



Correct if higher than water level.



With the valve installed, the critical level mark on the fill valve (identified by a CL mark) should be at least 1" (25 mm) above the top of the water level. Water temperature should be in the range of 45° F (2° C). Water supply static pressure range: 20psi-80psi.

**DO NOT USE CHLORINE OR ANY CHEMICAL COMPONENT. USE OF SUCH PRODUCTS WILL RESULT IN TANK DAMAGE, MAY CAUSE FLOODING, PROPERTY DAMAGE AND WILL VOID WARRANTY. DO NOT OVERTIGHTEN NUTS, TANK OR BOWL.**

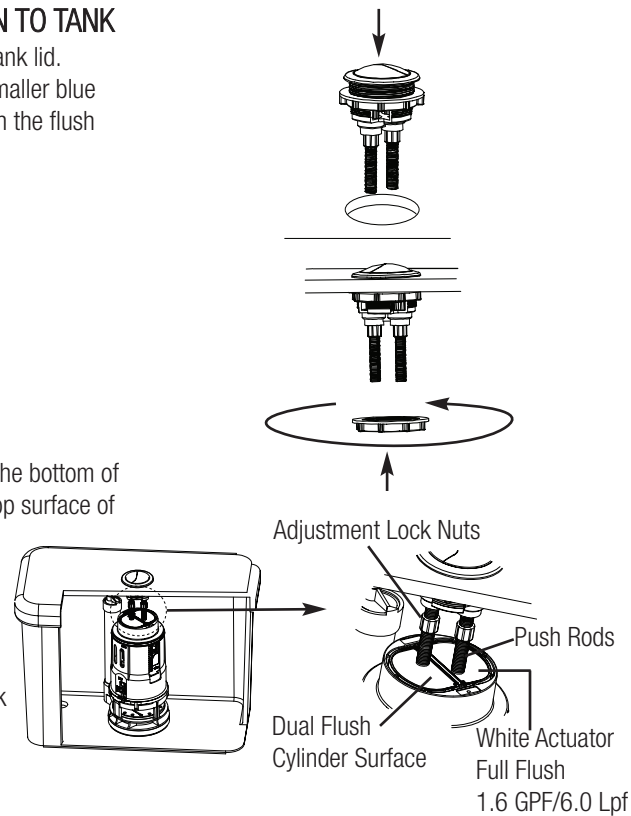
### 3. INSTALL DUAL FLUSH BUTTON TO TANK

Insert button assembly through top of tank lid. The buttons should be rotated so the smaller blue button is aligned with the blue button on the flush valve.

Securely tighten nut. **DO NOT OVERTIGHTEN**

To ensure both buttons flush correctly, the bottom of each push rod must be flush with the top surface of the flush valve cylinder. If rods are not flush, adjust the length of each rod by loosening adjustment nut and re-adjust the push rod. Tighten lock nuts after any adjustments.

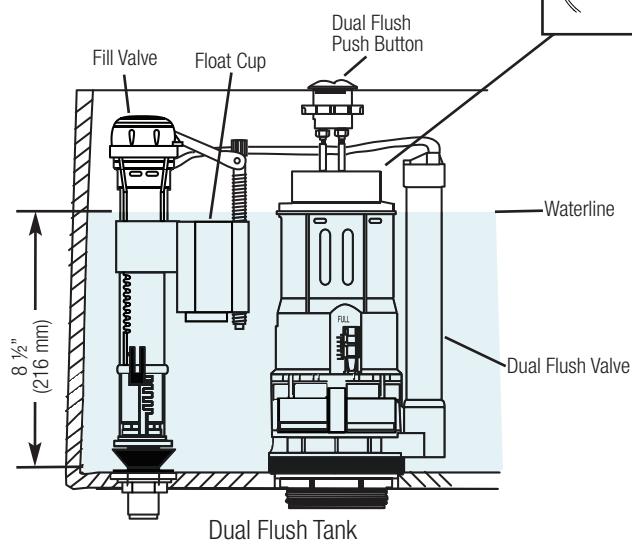
**NOTE:** Dual flush valve assembly in tank is factory installed.



### 4. ADJUSTMENTS AND OPERATIONS OF DUAL FLUSH TOILETS

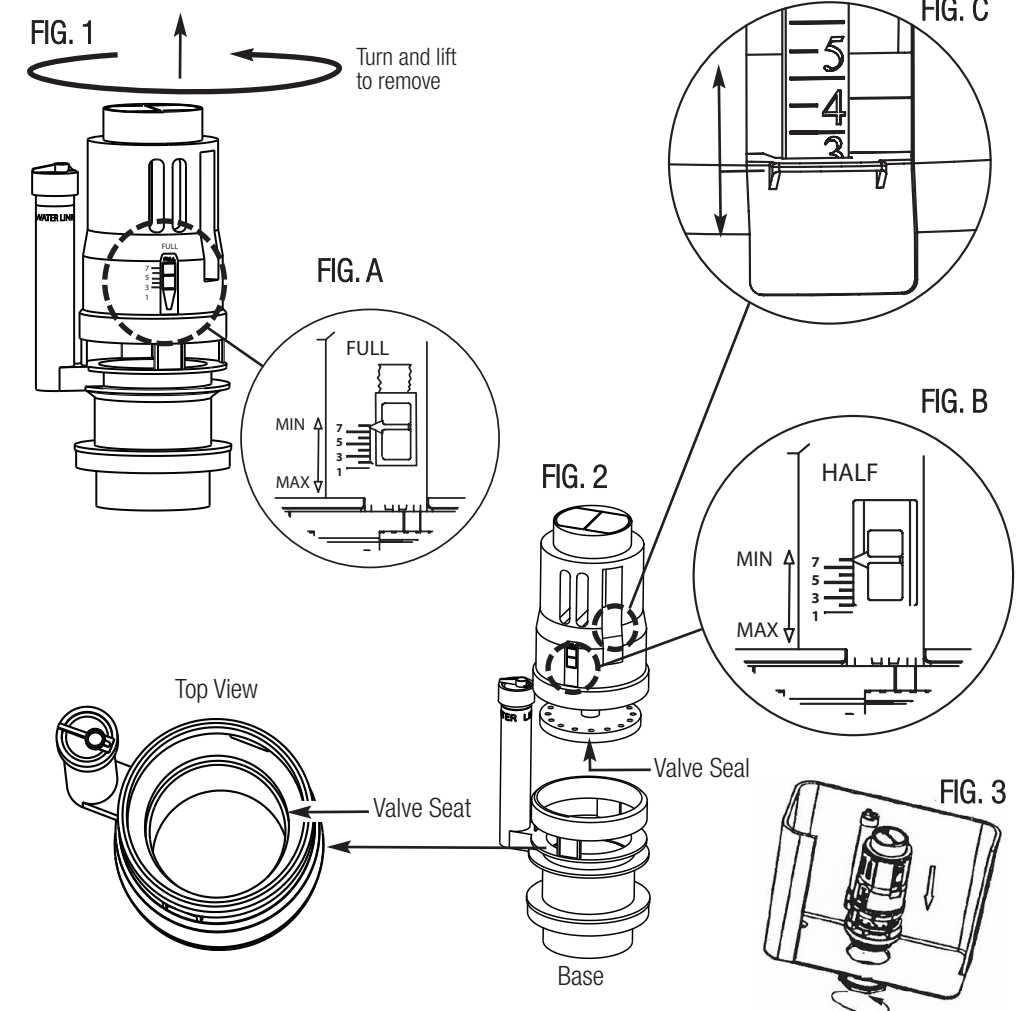
Make sure the water level is at the marked water line. Test flush the toilet several times to ensure proper operation. If dual flush valve does not operate properly, improve flush by:

- Verifying the bottom of each push rod is flush with the top surface of the dual flush valve cylinders.
- Adjusting the water level with the fill valve
- Adjusting the flush volume as in the next step
- When replacing the fill valve, check for the correct float cup height as shown in the figure.



To adjust dual flush cartridge assembly (full and reduced flush):

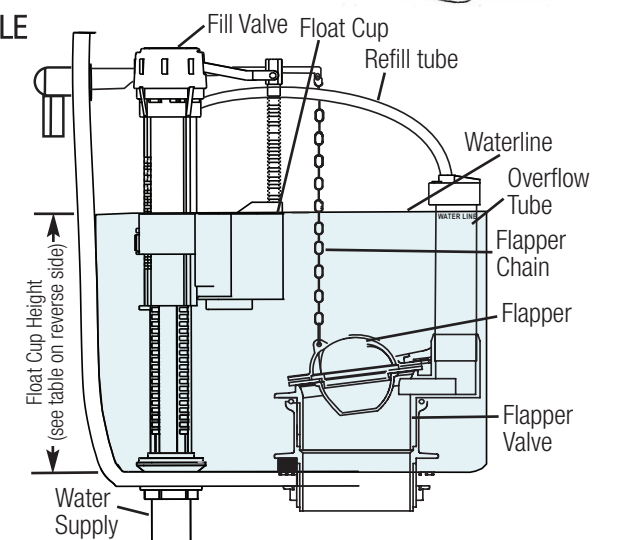
- Adjust flush volume by moving water adjustment clip up or down to desired flush as in Figure "A" and "B" (factory setting at 8" min.)
- For a refined adjustment, move adjustment clip up or down for desired flush volume (Fig. C) (factory setting at 3½" Min.)



### 5. INSTALLATION OF FLUSH HANDLE (SINGLE FLUSH TOILETS)

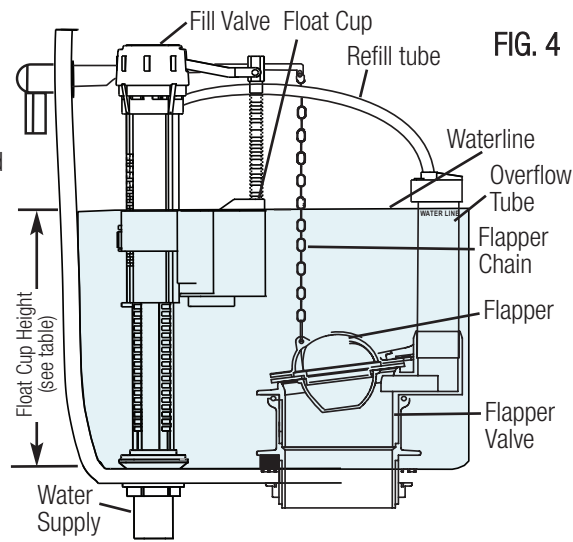
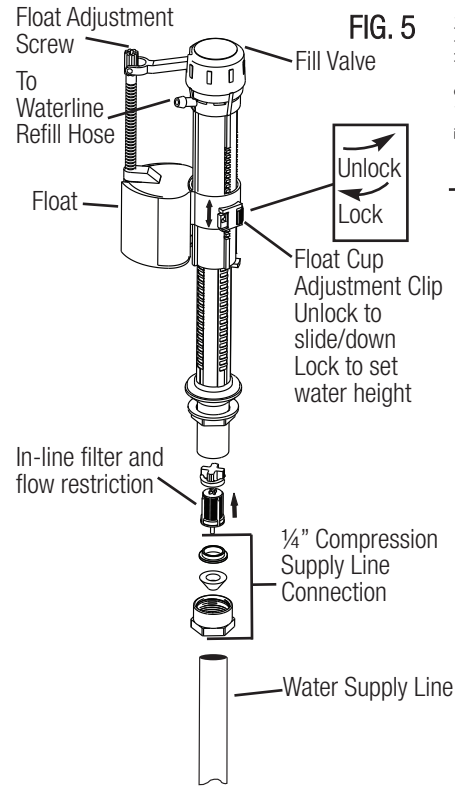
Remove left-hand nut and washer from handle assembly and insert through left side or right side of hole in tank. Reinsert the nut and washer then hand tighten to secure the handle assembly to the tank. Connect the flapper chain to the handle mechanism ensuring the proper slack. Connect the refill tube from the fill valve to the overflow tube. Verify refill tube is adjusted so it is not below the waterline. **NOTE:** Handle points down on tank exterior.

**NOTE:** Flapper fill valve assembly in tank is factory installed.



## 6. ADJUSTMENTS AND OPERATIONS OF SINGLE FLUSH TOILETS

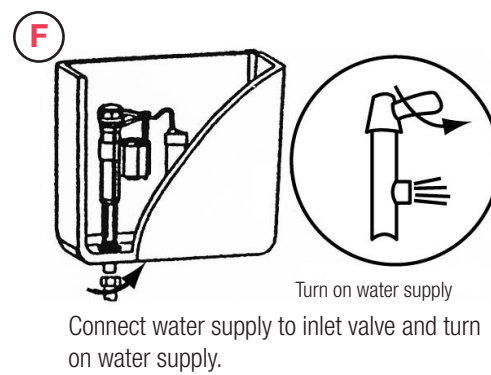
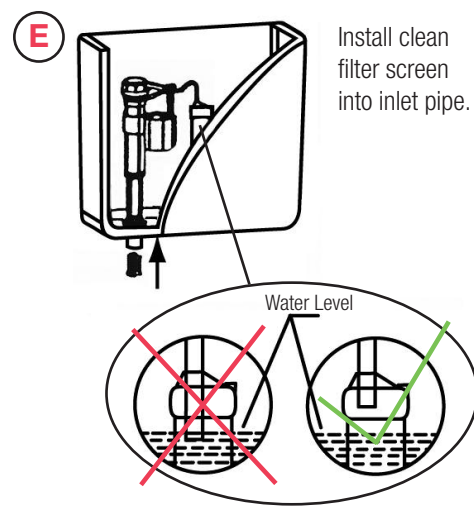
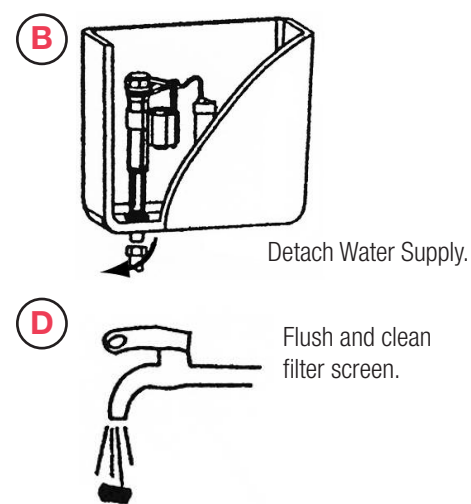
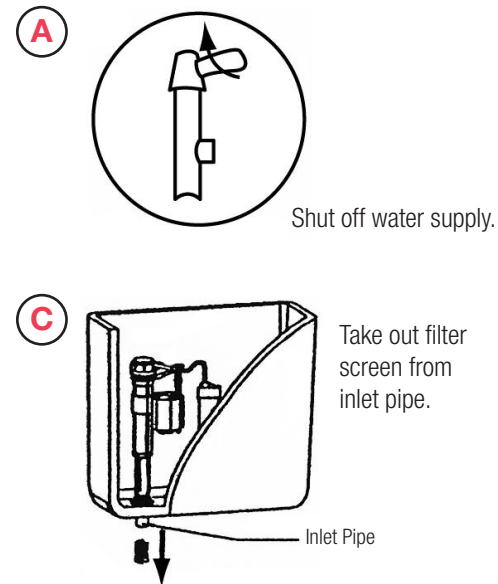
The fill valve is preset at the factory. When replacing the fill valve check for correct float cup height (see figure 4) per volume as listed in the table. It is important that the water level is adjusted to the waterline indicated on the overflow tube (Fig. 4).



For small adjustments, turn the adjustment screw located on float adjustment (Fig 5). Test flush the toilet several times to ensure proper operation. If flapper ball doesn't seat or lift properly when flushed, adjust the flapper chain length by repositioning the chain hook on the chain.

Float Cup Height	Flush Volume
8"	1.28 gpf (4.8 Lpf)
8½"	1.6/1.1 gpf (6.0/4.2 Lpf)
9"	1.6 gpf (6.0 Lpf)

## 7. FILTER CLEANING



## TROUBLESHOOTING

### 1. Poor Flush.

- Adjust the tank water level to the marked water line on overflow tube.
- Make sure water supply valve is fully open.
- For dual flush, make sure the push button rods are in place and are activating the dual flush assembly. Adjust as needed.

### 2. Tank takes a long time to fill.

- Make sure water supply valve is fully open.
- Clean any residue from the inlet valve, in-line filter, dual flush cartridge assembly or supply line. Flush the lines to clear any debris.
- Check water pressure supply, operating range is 20-80 PSI.

### 3. Water level too high or too low.

- Adjust the float adjustment screw or float cup.

### 4. Fill valve fails to shut off or fails to fill tank.

- Verify water supply is on.
- Filter screen is clogged. Clean filter screen.
- Verify refill hose is not obstructed or kinked.

### 5. Noisy tank water refill.

- Adjust the water supply line if water pressure is too high.
- Clean any residue from the inlet valve or supply line. Flush the lines to clear any debris.

### 6. Bowl water continues to flow or tank refill water won't shut off.

- Flapper is not seating properly. Adjust chain slack between flapper and flapper valve.
- Flush handle extension is being restricted. Repair or replace flush handle assembly.
- Clean area of debris and check for any wearing around the flapper or dual flush valve seat on opening to allow seal.
- For dual flush, adjust the push button rods for proper slack, so the fill valve seal is not held off the flush valve.

### 7. Handle/dual flush button does not activate plunger.

- Adjust chain linkage.
- Check arm for breakage. Replace if necessary.
- Check push button rods for breakage or adjustment.

### 8. If the water rises in bowl during the flush and stays there, or drains slowly.

- Ensure that the chain connected to flapper is adjusted properly. Too much slack will result in the flapper closing too soon, not enough slack will result in not seating properly and leaking. There should be enough slack to allow the flapper to seat properly.
- Check the plumbing system venting. Fill a basin near the location of the toilet and open the drain. If the water drains quickly with no visible problem, there is no venting problem. If there is a venting problem the sluggish/poor performance is not a fixture problem.

## 9. Leaking tanks.

- Check flapper and flapper seat in tank for warping or degradation. Many cleaning chemicals commonly used in tanks contain chlorine that attacks these parts causing warping and degradation.
- Check tank for cracks. If cracked the tank must be replaced.
- Check tank bolts. Rubber washers may be corroded or bolts may be loose. Replace or tighten as necessary.  
**NOTE:** be careful not to overtighten nuts on tank as this may result in cracking the tank.
- Check for condensation. Very cold water can generate condensation in high temperature and humid areas in unlined tanks.

**CAUTION:** Do not use in-tank cleaners. Products containing chlorine (calcium hypochlorite) can seriously damage the fittings in your tank. This damage can cause leakage and property damage.

For more complete up-to date information please visit us at [www.sloanvalve.com](http://www.sloanvalve.com).

If further assistance is required, please contact the Sloan Valve Company Installation Engineering Department at: 1-888-SLOAN-14 (1-888-756-2614)

## PARTS LIST

Code #	Part #	Description
2109012	ST-9012-A	Gravity Tank Assembly 1.6/1.1 gpf (6.0/4.2 Lpf)
2109013	ST-9013-A	Gravity Tank Assembly 1.6 gpf (6.0 Lpf) Left Hand
2109010	ST-9010-A	Gravity Tank Assembly 1.28 gpf (4.8 Lpf) Left Hand
2109113	ST-9113-A	Gravity Tank Assembly 1.6 gpf (6.0 Lpf) Right Hand
2109110	ST-9110-A	Gravity Tank Assembly 1.28 gpf (4.8 Lpf) Right Hand
2109000	ST-9000-A	Gravity Closet Bowl 1.28 gpf (4.8 Lpf)
2109002	ST-9002-A	Gravity Closet Bowl 1.6/1.1 gpf (6.0/4.2 Lpf)
2109003	ST-9003-A	Gravity Closet Bowl 1.6 gpf (6.0 Lpf)
2109020	ST-9020-A	Gravity Closet Bowl ADA 1.28 gpf (4.8 Lpf)
2109023	ST-9023-A	Gravity Closet Bowl ADA 1.6 gpf (6.0 Lpf)

## Repair Parts Kits

Code #	Part #	Description
0319140	ST-15-A-1.28	Fill Valve-1.28 gpf (4.8 Lpf)
0319142	ST-15-A-1.6	Fill Valve- 1.6 gpf (6.0 Lpf)
0319131	ST-19-A-1.28	Single Flush Valve Assembly – 1.28 gpf (4.8 Lpf)
0319154	ST-19-A-1.6	Single Flush Valve Assembly – 1.6 gpf (6.0 Lpf)
0319132	ST-23-A	Dual Flush Valve Assembly – 1.6/1.1 gpf (6.0/4.2 Lpf)
0319145	ST-36-A	Handle Repair Kit (Single Flush)
0319148	ST-37-A	Button Repair Kit for (Dual Flush)
0319172	ST-48	Flapper and Chain
0319181	ST-60-A	Gravity Closet Mounting Kit (tank & johnny bolt assemblies, tank gasket, spacers)

## LIMITED WARRANTY

Sloan Valve Company warrants its Sloan toilet tank systems to be made of first class materials, free from defects of material or workmanship under normal use and to perform the service for which they are intended in a thoroughly reliable and efficient manner when properly installed and serviced, for a period of three years from date of purchase. During this period, Sloan Valve Company will, at its option, repair or replace any part or parts which prove to be thus defective if returned to Sloan Valve Company, at customer's cost, and this shall be the sole remedy available under this warranty. No claims will be allowed for labor, transportation or other incidental costs. This warranty extends only to persons or organizations who purchase Sloan Valve Company's products directly from Sloan Valve Company for purpose of resale.

**THERE ARE NO WARRANTIES WHICH EXTEND BEYOND THE DESCRIPTION ON THE FACE HEREOF. IN NO EVENT IS SLOAN VALVE COMPANY RESPONSIBLE FOR ANY CONSEQUENTIAL DAMAGES OF ANY MEASURE WHATSOEVER.**

# SLOAN®

10500 Seymour Avenue  
Franklin Park, IL 60131  
Ph: 1-800-982-5839 or  
1-847-671-4300  
Fax: 1-800-447-8329 or  
1-847-671-4380  
[www.sloanvalve.com](http://www.sloanvalve.com)

Code No: 0816427 – Rev. 3 (02/11)